

FIRE-RATED SILICONE GLAZED STEEL CURTAIN WALL

Fireframes SG Curtainwall® Series allows design professionals to create large, fire-rated glazed walls with the smooth, monolithic appearance of a structural silicone glazed system. Featuring a patented toggle retention system that allows for rapid installation of fire-rated Pilkington Pyrostop® glass while being completely hidden once installed.



FIRE RATING
UP TO 120 MINUTES



PATENT NO.
8,567,142

FEATURES

- Fire ratings of 45, 60 and 120 minutes with required hose stream test
- Unrestricted glazing area for use in locations where total glazing exceeds 25% of wall (60 and 120 minutes)
- Compatible with full-lite doors from TGP available in single leaf or double leaf design (see Fireframes® Designer Series or Fireframes® Heat Barrier Series)
- Air and water pressure tested and approved for exterior use
- Durable narrow steel profiles ensure low maintenance system
- Silicone sealed for smooth monolithic appearance, no pressure plates or caps
- Shear block fabrication system
- Easy installation using unique toggle retention system
- Captured option available (perimeter, 2-sided, or other design-based configurations)
- Frames supplied "K-D" (knock-down) ready for installation
- Finish painted at the factory to match desired color scheme
- Incorporates large individual panes of Pilkington Pyrostop fire-resistive-rated glass, comprised of Pilkington Optiwhite™ glass and clear intumescent interlayers

LISTINGS/STANDARDS

Classified and labeled by Underwriters Laboratories, Inc.® and Underwriters Laboratories of Canada. File number R25274 (walls), R25229 (windows), design number U554 (W495 Canada). Frame tests performed in accordance with:

UL 9	NFPA 257	CAN/ULC-S101	ASTM E-119	LARR 25798
UL 263		CAN/ULC-S106		

MAXIMUM SIZE

Contact TGP for maximum allowable glass sizing information. Locate your local Territory Manager at fireglass.com/territory-managers.



BIM 3D Model



Fire-Rated



Hose Stream Tested



Heat Barrier



Positive Pressure Tested

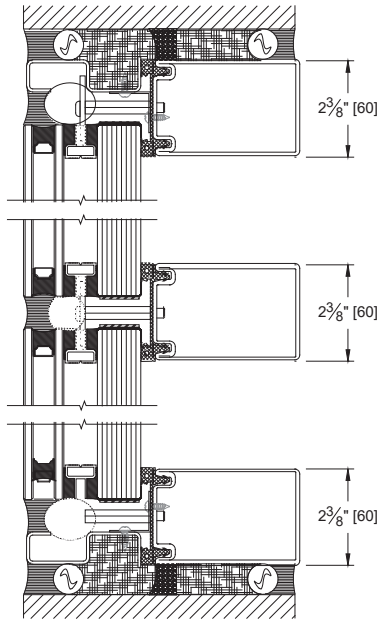


UL Classified & Labeled

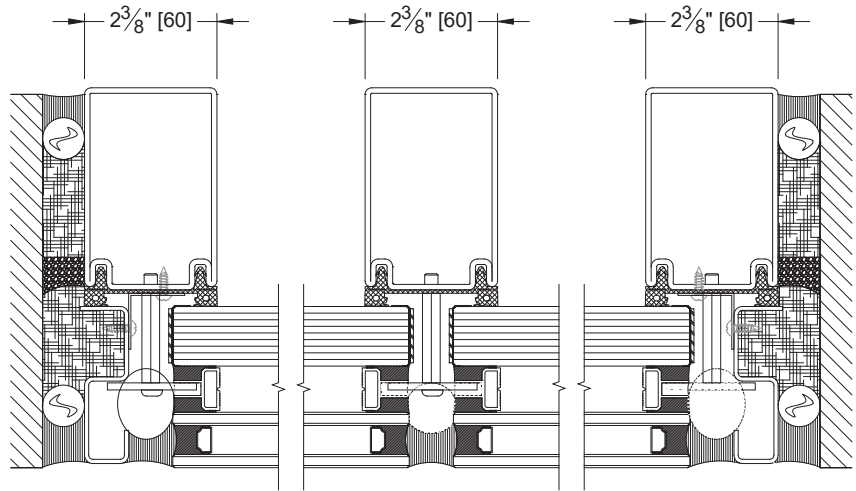


NORTH AMERICA'S
MOST SPECIFIED
FIRE-RATED GLASS COMPANY

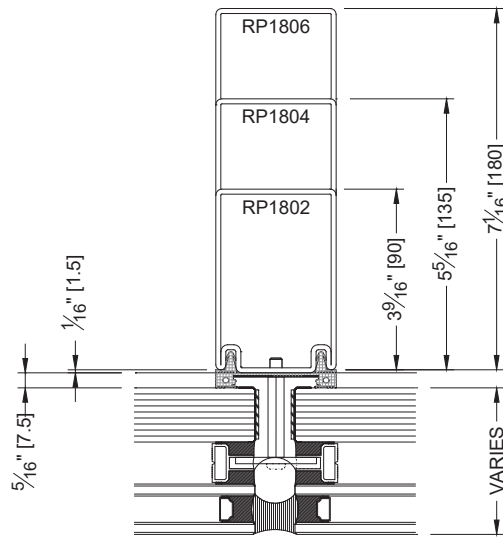
DETAIL DRAWINGS



HORIZONTAL MULLIONS

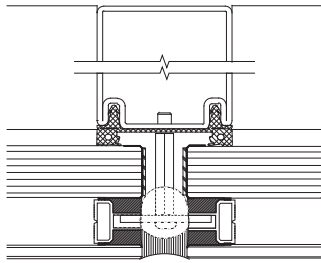


VERTICAL MULLIONS

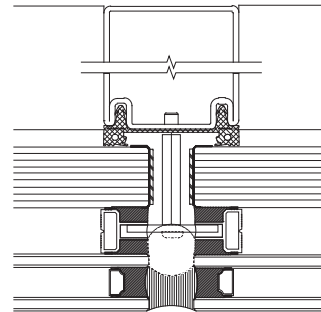
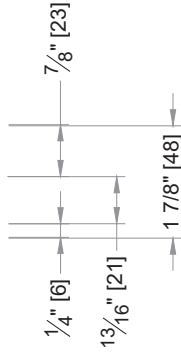


**INTERMEDIATE MULLION 60 MM
PROFILE OPTIONS**

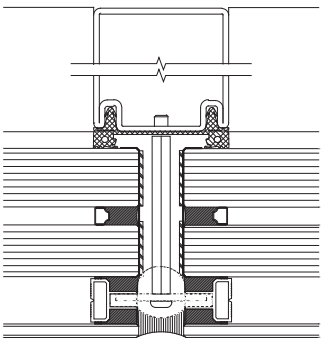
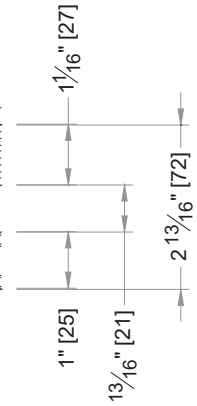
GLAZING OPTIONS



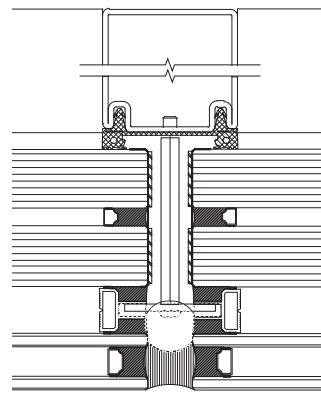
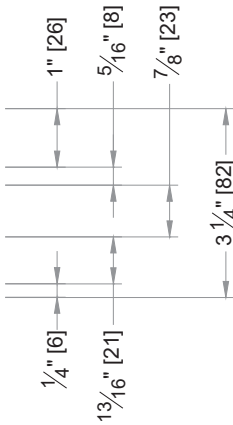
60 MIN INTERIOR
60-161 FG



60 MIN EXTERIOR
60-361 FGX



120 MIN INTERIOR
120-166 FG



120 MIN EXTERIOR
120-363 FGX

