

FIRE-RATED NARROW PROFILE STEEL DOORS & FRAMES

Fireframes® Heat Barrier Series doors and frames combined with Pilkington Pyrostop® glass, provides a barrier to radiant and conductive heat transfer. Incorporating precise European engineering, the system also allows full-lite fire doors for aesthetic or security reasons.

 **FIRE RATING**
60 / 90 / 120 MINUTES

FEATURES

- Fire-ratings of 60-120 minutes with required hose stream test
- Narrow steel profiles
- Full-lite doors available in single leaf or double leaf design; see Fireframes Heat Barrier Series Door fact sheet
- Modular system that can incorporate 60/90 minute full-lite temperature rise doors
- Can incorporate large individual panes of Pilkington Pyrostop® fire-resistive-rated glass, comprised of Pilkington Optiwhite™ glass and clear intumescent interlayers
- Frames supplied “K-D” (knock-down) ready for installation or welded depending on application
- Unrestricted glazing area for use in locations where total glazing exceeds 25% of wall area
- Durable steel frames ensure low maintenance system
- Door hardware available to fit functional requirements. Check with TGP for compatibility
- Finish painted at the factory to match desired color scheme
- Easy installation similar to typical storefront systems
- Passes wall assembly test standard UL 263 / ASTM E-119 for 60 and 120 minute ratings

LISTINGS/STANDARDS

Classified and labeled by Underwriters Laboratories Inc.® and Underwriters Laboratories of Canada. File numbers R19207 (doors), R25229 (windows), R25274 (walls), design number U533 (W474 Canada). Tests performed in accordance with:

UL 9	NFPA 252	CAN/ULC-S101	ASTM E119	MEA 240-00-M
UL 10B	NFPA 257	CAN/ULC-S104		LARR 25798
UL 10C		CAN/ULC-S106		
UL 263				
UL 752 (110 mm frame)				

SPECIFICATIONS

Complete 3-part CSI format specifications are available online at fireglass.com, or by calling 800.426.0279.



BIM 3D Model



Environmental Product Declaration



Fire-Rated



Hose Stream Tested



Heat Barrier



Positive Pressure Tested



UL Classified & Labeled



NORTH AMERICA'S
MOST SPECIFIED
FIRE-RATED GLASS COMPANY

DOORS

DOORS: SINGLES AND AA	RATING	MAX. WIDTH	MAX. HEIGHT
Max. Door Leaf Size	60/90 min.	49-1/4" (1,251 mm)	112-7/16" (2,855 mm)
Max. Door Opening Active-Active (AA Pair)	60/90 min.	98-1/8" (2,492 mm)	112-7/16" (2,855 mm)

FRAMING

RATING	MAX. EXPOSED GLASS AREA PER PIECE	MAX. EXPOSED GLASS DIMENSION
60 min.	7,442 in ² (4.80 m ²)	118-1/8" (3.00 m)
90 min.	3,724 in ² (2.40 m ²)	96" (2.44 m)
120 min.	3,730 in ² (2.41 m ²)	111" (2.81 m)

Note: For double egress, please reference Architectural Specification Manual at fireglass.com/detail-drawings.

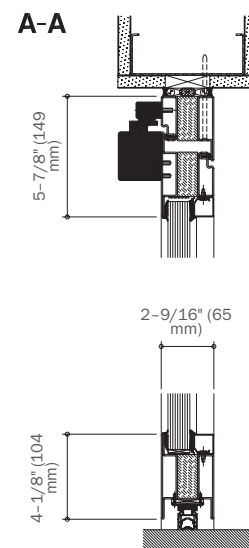
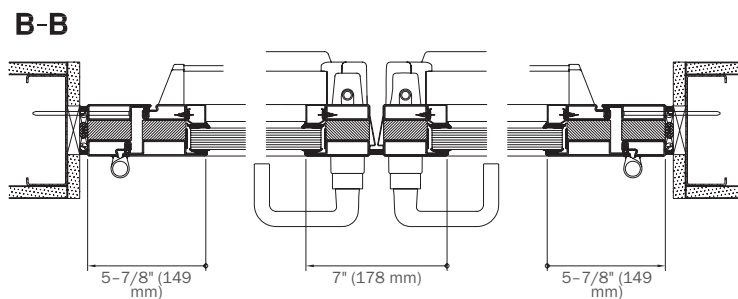
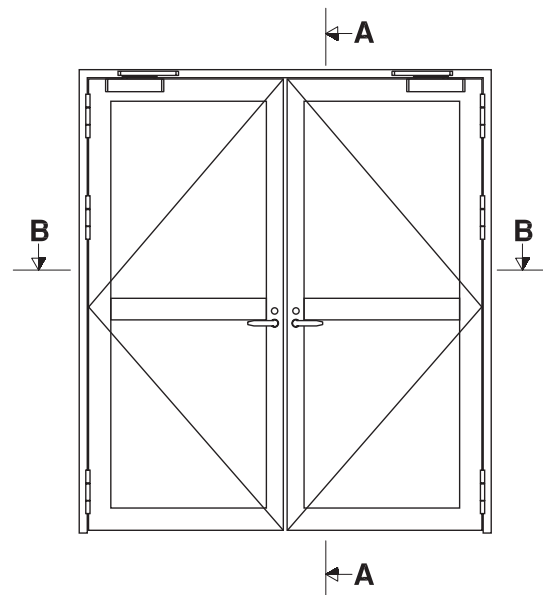
Note: Individual lite sizes cannot exceed "Max. Exposed Area" shown above.

DOOR DETAILS

All door hardware for Fireframes Heat Barrier Series doors is supplied by Technical Glass Products. Please contact TGP regarding your individual hardware requirements.

Standard hardware may include:

- Hinges
- Surface mounted closers
- Single mortise lock
- Panic hardware
- Tall bottom rails



WINDOW DETAILS

