

FIRE-RATED NARROW PROFILE STEEL DOORS & FRAMES

Fireframes® Designer Series doors and frames incorporate precise European engineering to provide a sleek, modern alternative to traditional steel hollow metal frames with glass sizes surpassing traditional systems.



FIRE RATING
20 / 45 / 60 / 90 MINUTES

FEATURES

- Fire ratings of 20-90 minutes (45-90 minutes with required hose stream test)
- Easy installation similar to typical storefront systems
- Narrow steel profiles
- Full-lite doors available in single leaf or double leaf design; see Fireframes Designer Series Door fact sheet
- Durable welded steel construction of doors
- Modular system that can incorporate 20/45/60/90 minute Fireframes Designer Series doors
- Can be used with wired glass, Fireglass®20, Pilkington Pyrostop®, or the FireLite® family of products
- Available as a temperature rise door for 60-90 minute applications
- Frames supplied welded or "K-D" (knock-down) ready for installation
- Door hardware available to fit functional requirements. Please check with TGP for compatibility
- Finish powder coating at the factory to match desired color scheme
- Arched profiles
- Brushed stainless steel finish available for fire ratings up to 45 minutes



BIM 3D Model



Declare Label



Environmental Product Declaration



Fire-Rated



Hose Stream Tested



Positive Pressure Tested



Stainless Steel Option



UL Classified & Labeled



**NORTH AMERICA'S
MOST SPECIFIED**
FIRE-RATED GLASS COMPANY

Notes:

This product is not intended for use in locations requiring a barrier to radiant heat, as it does not meet test standards ASTM E119 or UL 263. If your jurisdiction requires "barrier to heat" framing, please contact Technical Glass Products regarding Fireframes products that meet the barrier to heat requirement.

LISTINGS/STANDARDS

Classified and labeled by Underwriters Laboratories Inc.® and Underwriters Laboratories of Canada. File numbers R13377 and R25229 (windows) and R19207 (doors). Tests performed in accordance with:

UL 9	NFPA 80	CAN/ULC-S104	MEA 426-04-M
UL 10B	NFPA 252	CAN/ULC-S106	LARR 25798
UL 10C	NFPA 257		

FRAMING

RATING	MAX. EXPOSED GLASS AREA PER PIECE	MAX. EXPOSED GLASS DIMENSION
20 min.	3,325 in ² (2.15 m ²)	95" (2.41 m)
45 min.	4,500 in ² (2.90 m ²)	95-1/4" (2.42 m)
60 min.	5,616 in ² (3.62 m ²)	104-1/16" (2.64 m)
90 min.	4,162 in ² (2.68 m ²)	111" (2.82 m)

DOORS

RATING	MAX. SINGLE DOOR LEAF SIZE	MAX. EXPOSED GLASS SIZE PER PIECE
20 min.	43" x 95-7/8" (1.09 m x 2.44 m)	36" x 88-3/4" (.91 m x 2.25 m)
45 min.	43" x 95-7/8" (1.09 m x 2.44 m)	36" x 88-3/4" (.91 m x 2.25 m)
60 min.	43" x 95-7/8" (1.09 m x 2.44 m)	36" x 88-3/4" (.91 m x 2.25 m)
90 min.	43" x 95-7/8" (1.09 m x 2.44 m)	36" x 56-1/2" (divided lite door) (.91 m x 1.44 m)

Note: Individual lite sizes cannot exceed "Max. Exposed Area" shown above.

TEMPERATURE RISE DOORS WITH PILKINGTON PYROSTOP®

DOORS: SINGLES AND AA	RATING	MAX. WIDTH	MAX. HEIGHT
Max. Door Leaf Size	60/90 min.	48-3/16" (1,224 mm)	107-7/8" (2,740 mm)
Max. Door Opening Single	60/90 min.	48-1/8" (1,222 mm)	108" (2,743 mm)
Max. Door Opening Active-Active (AA Pair)	60 min.	96-1/4" (2,444 mm)	108" (2,743 mm)
Max. Door Opening Active-Active (AA Pair)	90 min.	85-3/8" (2,168 mm)	96" (2,438 mm)

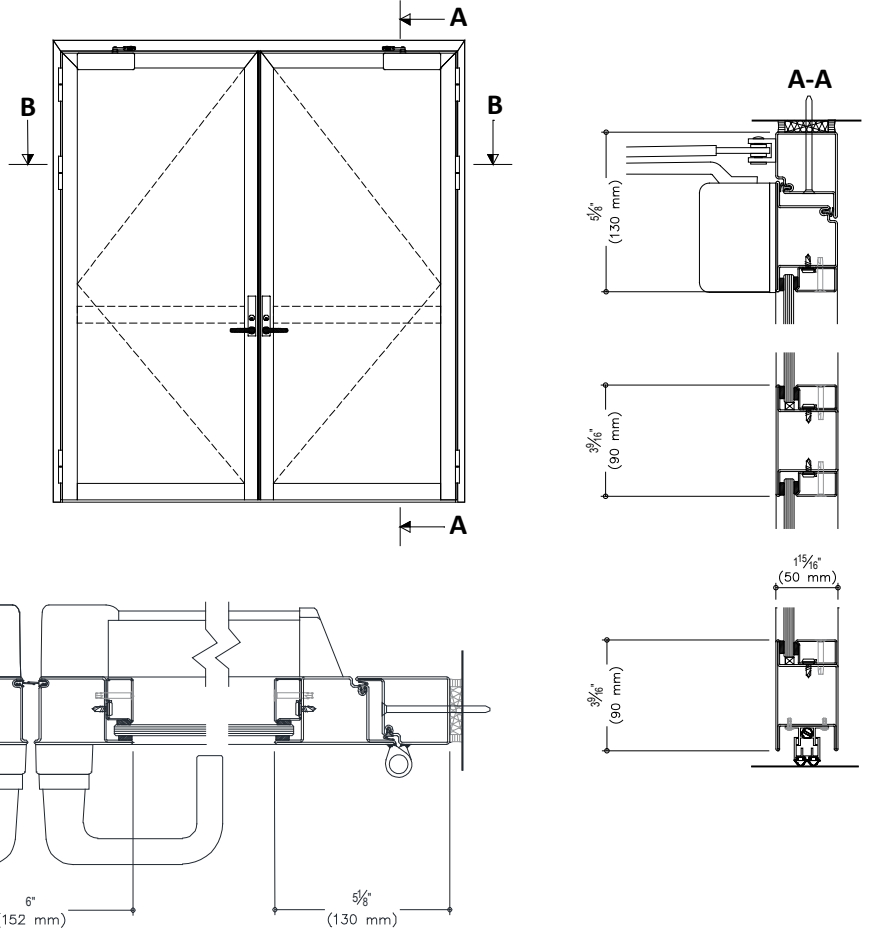
Note: Individual lite sizes cannot exceed max. sizes shown above. For double egress and specific assembly parameters, please reference Architectural Specification Manual at fireglass.com/detail-drawings.

DOOR DETAILS

All door hardware for Fireframes Designer Series doors is supplied by Technical Glass Products. Please contact TGP regarding your individual hardware requirements.

Standard hardware may include:

- Hinges
- Surface mounted or concealed closers
- Single mortise lock
- Panic hardware
- Tall bottom rails



WINDOW DETAILS

