



## Technical Glass Products Architectural Specification Manual

## SMOKESAFE® WINDOW & DOOR SYSTEM ARCHITECTURAL SPECIFICATION MANUAL

The SmokeSafe® Window & Door System is a smoke-rated partition featuring doors, sidelites/transoms, and standalone windows suitable for enclosed elevator lobbies in multifamily buildings. SmokeSafe Window & Door System is comprised of glass, frames and hardware and is the first fully tested system tested to UL 1784: Standard for Air Leakage Tests of Door Assemblies and Other Opening Protectives.

Incorporating precise roll-forming technology, provides a sleek, modern alternative to traditional hollow metal or aluminum frames. Using narrow profiles, the SmokeSafe Window & Door System exceeds traditional smoke-rated frame systems in aesthetics and performance. Available with safety rated monolithic or insulated glass units (IGUs), in single doors, pairs of doors as well as fixed lites, this modular system emulates TGP's Fireframes® Designer Series doors and windows which have a complete range of fire-rated glazing materials with glass sizes surpassing traditional systems.

For specifications, photographs and additional information contact:

Technical Glass Products  
8107 Bracken Place SE  
Snoqualmie, WA 98065

Office: 800.426.0279  
425.396.8200

E-mail: [tgp.sales@allegion.com](mailto:tgp.sales@allegion.com)

Web: [fireglass.com](http://fireglass.com)



## Table of Contents

<b>System Exploded View .....</b>	<b>4</b>
<b>Material Key Chart .....</b>	<b>5</b>
<b>General Information.....</b>	<b>6</b>
Features.....	7
Listings .....	7
Ratings .....	7
Glass and Frame System Sizing Guidelines.....	8
Americans with Disability Act Standards on Smoke Protection Doors .....	9
Smoke-Rated Glazing Options .....	9
Glazing Specifications .....	10
Arched Top (Radius) Frames.....	10
How to Determine Door Handing.....	12
Door Hardware Configurations and Hardware Options.....	13
<b>Recommended Guidelines.....</b>	<b>14</b>
<b>Sample Elevations – Windows .....</b>	<b>16</b>
<b>Sample Section Details – Windows .....</b>	<b>17</b>
<b>Sample Elevations – Single Doors .....</b>	<b>20</b>
<b>Sample Elevations – Door Pairs.....</b>	<b>21</b>
<b>Sample Elevations – Wide Stile Doors.....</b>	<b>22</b>
<b>Sample Section Details – Doors .....</b>	<b>23</b>

### System Exploded View

ITEM	DESCRIPTION	ITEM	DESCRIPTION	ITEM	DESCRIPTION
1	PROFILE, WALL JAMB "L"	6	GLASS	11	PROFILE, DOOR JAMB "T"
2	BEAD STUD	7	PROFILE, DOOR JAMB "L"	12	PIVOT ASSEMBLY
3	PROFILE, DOOR JAMB "Z"	8	-	13	GLAZING TAPE
4	PROFILE, INTERMEDIATE "T"	9	GLAZING BEAD		
5	SETTING BLOCK	10	GASKET, DOOR STOP		

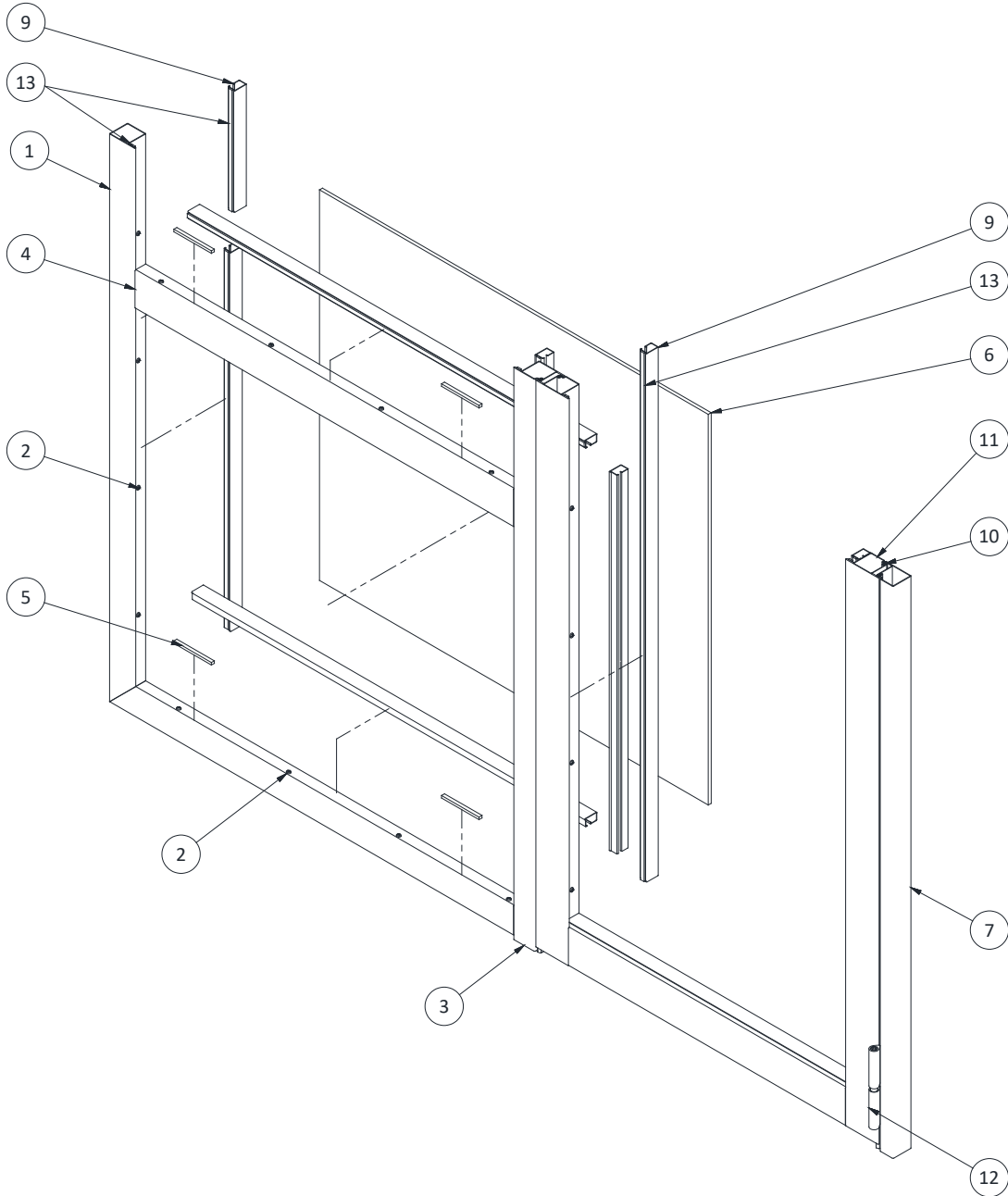


Figure 1 - System Exploded View

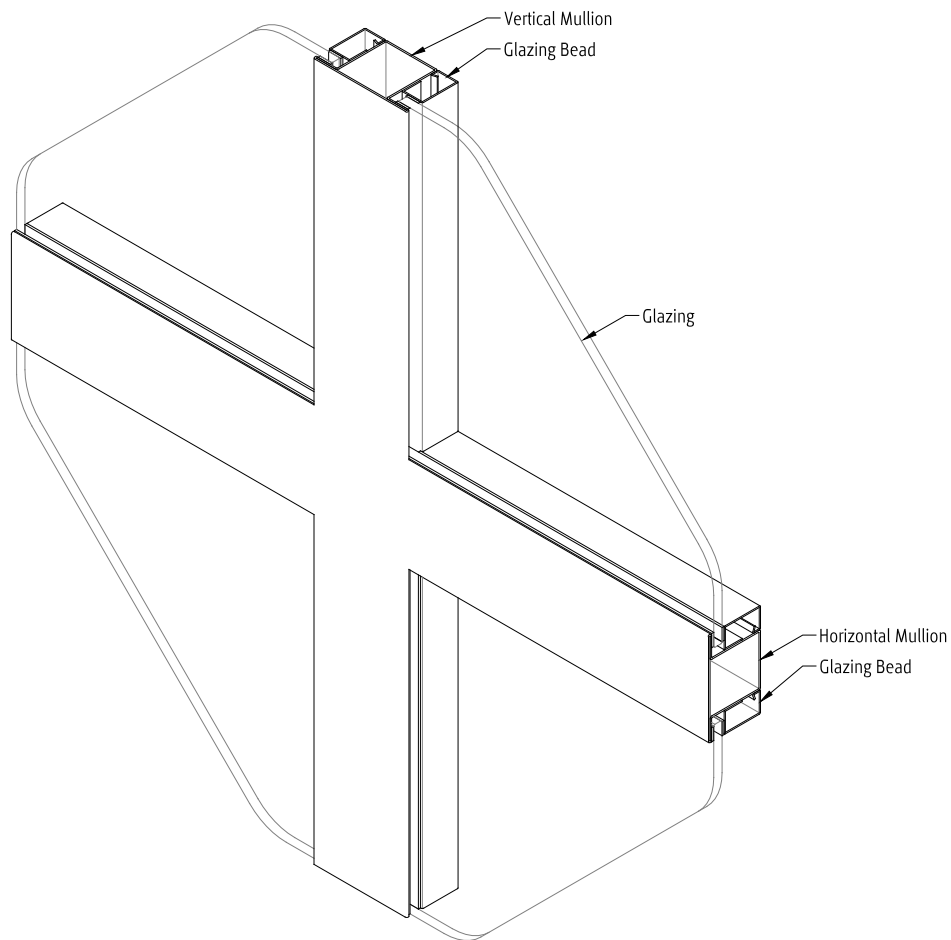
## Material Key Chart

Material	Required Material <b>NOT PROVIDED</b> With SmokeSafe Window & Door System
FINISH SEALANT	Sealant installed into the interior and exterior perimeter cavity. Select color for sealant to match frame or as directed by project architect.
ANCHOR FASTENER	As wall constructions vary widely in design, TGP does not provide perimeter fasteners (anchors). All frames are factory drilled to receive #12 flat head perimeter screws at approximately 24" on center.
GLAZING TAPE	Double sided and single-sided adhesive, closed cell PVC glazing tape of any common brand available from your local glazing supply house. Refer to Glazing Specifications for glazing tape sizes, and Glazing Installation Instructions.
SHIMS	Perimeter shims at anchor locations are to be of hardwood (oak) or non-combustible (steel) materials. <b>Plastic shims should be avoided.</b> TGP recommends a 3/8" (9.5 mm) caulk joint between frame and all wall conditions.
WALL CONDITION	Wall construction by other trades.
Material	Fasteners Provided With SmokeSafe Window & Door System
BEAD STUD	Glazing beads snap onto factory installed, steel bead studs at approximately 12" on center.
Material	Components Provided With SmokeSafe Window & Door System
SETTING BLOCKS	6 mm calcium silicate, or hardwood, setting blocks shipped loose for field installation. Refer to Glazing Installation Instructions.
SMOKE-RATED GLAZING MATERIAL	Refer to the Smoke-Rated Glazing Options and Specifications, and Glazing Installation Instructions.
MECHANICAL JOINT CONNECTOR	In the event of a mechanically joined frame, this clip inserts into the receiving end of the frame to be joined and fastens with provided screws.
GLAZING BEAD	Snap-on glazing bead to hold glass in system.
WEATHER SEAL	Silicone gasket used on SmokeSafe System door meeting stiles.
DOOR GASKET	Silicone door stop gasket used on SmokeSafe System doors and frames.

Figure 2 - Material Key Chart

## General Information

This document is meant as a general description of typical installations. As such, it is the responsibility of the installer to ensure the frame materials are installed per the conditions that exist on any given project in accordance with these instructions and project drawings. TGP project drawings may detail modifications to the surrounding conditions required for a given project, (if architectural details or sketches were provided to TGP) and should be used in conjunction with these instructions. In the event of any conflict between these instructions and TGP project drawings, the TGP project drawings shall govern. TGP does not accept any warranty and / or liability for installations not in compliance with this document or other non-conforming use of the TGP products and / or system. Contact TGP with questions concerning these details as they apply to the particulars of a given project.



## General Information

### FEATURES

- Fabricated in the U.S.A.
- Narrow steel profiles
- Easy installation similar to typical storefront systems
- Frames supplied welded or “K-D” (knock-down) ready for installation
- Surface powder coated at the factory to match the desired color scheme
- Stainless steel is available
- Passes air leakage test standard **UL 1784**.
- Variety of hardware available

**Note:** This product is not intended for use in locations requiring a barrier to radiant heat or other fire protection requirements. This product does not meet test standards **ASTM E-119, UL 263, UL 9, UL10B** or **UL10C**. If your application requires these compliant products, please contact Technical Glass Products regarding the full **Fireframes®** suite of fire-rated solutions.

### LISTINGS

- Classified and labeled by Underwriters Laboratories, Inc.® (UL)
- Test report number for labeled air-leakage-rated frame assemblies is **UL File No. R41225**.
- System tested in accordance with **UL 1784** and **NFPA 105**.

### RATINGS

Glass	Pressure (in. of WC)	Air Temp (°F)	Leakage (cfm/sq ft)	Closing Force (lb)	Artificial Bottom Seal
Single Doors, with or without Sidelite/Transom	0.05	Ambient	0.658 / 0.586	6	No / Yes
			1.060 / 1.005		
	0.10	400	1.507 / 1.449	6	No / Yes
			2.325 / 2.225		
Door Pairs	0.20	Ambient	0.093 / 0.025	8	No / Yes
			0.172 / 0.085		
	0.30	400	0.394 / 0.179	8	No / Yes
			0.611 / 0.323		
Door Pairs	0.05	Ambient	0.543 / 0.396	8	No / Yes
			0.822 / 0.597		
	0.10	400	1.233 / 0.972	8	No / Yes
			1.558 / 1.145		
0.20	400	0.174 / 0.007	8	No / Yes	
		0.347 / 0.060			
0.30	400	0.686 / 0.152	8	No / Yes	
		0.992 / 0.093			

**Note:** 1. Leakage rates were derived from testing full lite assemblies. Split sidelites, transoms, or doors may vary slightly.

## General Information

### GLASS AND FRAME SYSTEM SIZING GUIDELINES

#### GLASS SIZES

Product	Application	Min. Exposed Area		Min. Exposed Width		Min. Exposed Height	
		Square Inches	Square Meters	Inches	Millimeter	Inches	Millimeter
Safety Rated Monolithic Glass	Doors (Single)	2,115	1.36	28-9/16	726	73-9/16	1,869
	Doors (Pairs)	2,060	1.33	28	711	73-9/16	1,869
	Sidelites / Transoms / Windows	2,330	1.50	30-5/16	770	76-7/8	1,953
Safety Rated IGU	Doors (Single)	2,115	1.36	28-9/16	726	73-9/16	1,869
	Doors (Pairs)	2,060	1.33	28	711	73-9/16	1,869
	Sidelites / Transoms / Windows	2,330	1.50	30-5/16	770	76-7/8	1,953

**Note:** 1. Individual lite sizes below “Min. Exposed Area”, or minimum single dimension shown above may have varying leakage rates from Rating table shown above, but are within the parameters required for UL 1784 (< 3 CFM/Sq. Ft.).  
2. DLO = Daylight Opening (exposed glass dimension).

#### ASSEMBLY AND DOOR SIZES

DOORS: SINGLES AND AA/AF/DE PAIRS	Min. Width (Inches)	Min. Width (Millimeters)	Min. Height (Inches)	Min. Height (Millimeters)
<b>Glazed with SmokeSafe Window &amp; Door System Products</b>				
Single Door Frame Dimension (FD):	38-13/16	985	82-3/4	2,102
Door Opening (DO):	34-7/8	886	80-13/16	2,052
Door Opening (Clear):	32	813	80	2,032
Door Pairs, Active/Active (AA), Active/Fixed, (AF) or Double Egress (DE) Frame Dimension (FD):	72-1/8	1,832	82-3/4	2,102
Door Opening (DO):	68-3/16	1,732	80-13/16	2,052
Door Opening (Clear):	64	1,626	80	2,032
<b>WINDOW / SIDELITE FRAME <sup>1</sup></b>				
Windows / Sidelites / Transoms	35-13/16	910	82-3/8	2,093

**Note:** 1. Width and height are interchangeable for windows/sidelites/transoms.

## General Information

### AMERICANS WITH DISABILITY ACT STANDARDS ON SMOKE PROTECTION DOORS

If smoke doors were required to meet A.D.A.A.G. (Americans with Disability Act Accessibility Guidelines) Standards, many would not open or close with adequate force to prevent passage of flames and smoke. Recognizing this special fire safety need, NFPA 105 (National Fire Protection Association) allows operational features for smoke rated doors (opening forces, closing speeds, etc.) that are different than for non-rated doors.

### SMOKE-RATED GLAZING OPTIONS

Glazing options provided with the SmokeSafe Window & Door System are not fire-rated, though are safety rated to meet ANSI Z97.1 / 16 CFR part 1201 Category II.

Technical Glass Products provides a complete line of fire-rated framing and glazing options to complement the SmokeSafe Window & Door System. Refer to your Technical Glass Products SpecIFIRE® Selection Guide, available from your sales representative or online at [www.fireglass.com](http://www.fireglass.com).

Please consult your Technical Glass Products sales representative to determine the best option for your application.

Glazing Product*	Glazing Makeup
Tempered Glass	1/4" (6 mm) tempered glass
Tempered IGU	1" (25mm) IGU: <ul style="list-style-type: none"> <li>• 1/4" (6 mm) tempered glass</li> <li>• 1/2" (12 mm) air space</li> <li>• 1/4" (6 mm) tempered glass</li> </ul>
Laminated Glass	1/8" (3 mm) glass + .03" (.76 mm) PVB 1/8" (3 mm) glass
Laminated IGU	1" (25mm) IGU: <ul style="list-style-type: none"> <li>• 1/8" (3 mm) glass + .03" (.76 mm) PVB + 1/8" (3 mm) glass</li> <li>• + 1/2" (12 mm) air space</li> <li>• +1/4" (6 mm) tempered glass</li> </ul>

Note: \* Meets CPSC 16CFR1201: Category I and II

General Information

**GLAZING SPECIFICATIONS**

Technical Glass Products recommends closed cell 1/2" wide double-sided adhesive closed cell PVC glazing tape on the flange side of the glass, and a single or double-sided adhesive PVC glazing tape on the glazing bead. Any common brand, available from your local glazing supply house may be used. Refer to PVC glazing tape on the Material Key Chart. Refer to table below for glazing tape thickness required for specific glazing products.

Glazing Product	Weight (Approx.) Pounds per Sq. Ft.	Glazing Thickness		Glazing Tape Thickness Used (Flange side)		Glazing Tape Thickness Used (Bead Side)	
Tempered	3.0	1/4"	6 mm	1/8"	3 mm	3/16"	5 mm
Laminated	3.4	1/4"	6 mm	1/8"	3 mm	3/16"	5 mm
Tempered IGU	6.5	1"	25 mm	1/8"	3 mm	3/16"	5 mm
Laminated IGU	6.9	1"	25 mm	1/8"	3 mm	3/16"	5 mm

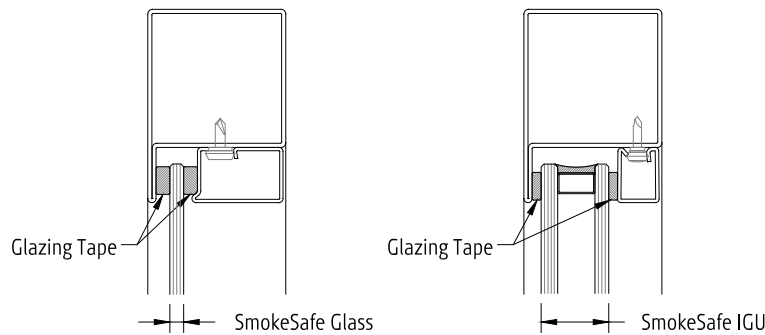


Figure 3 - Typical Glazing Options

**ARCHED TOP (RADIUS) FRAMES**

SmokeSafe System window frames can be bent to custom requirements. Refer to the Figure 2 and 3 for minimum bend radius for each frame profile.

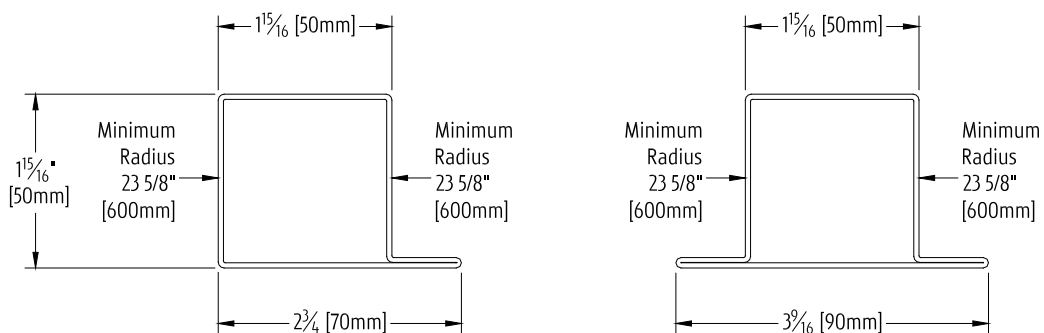


Figure 4 - Profiles

General Information

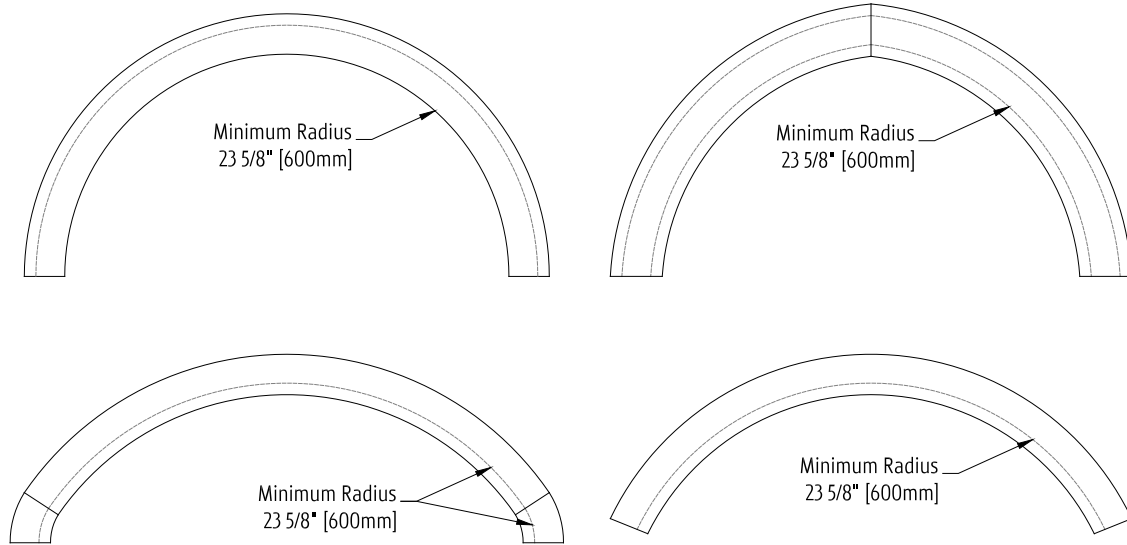


Figure 5 - Arched Top Examples

## General Information

### HOW TO DETERMINE DOOR HANDING

Doors are always viewed and identified by the secure (lockable) side of the door (except for double egress). The non-lockable side is not secured and always available for emergency egress (panic exit).

- NOTE:** \* The fixed leaf in a pair can be outfitted with either a manual or automatic flushbolt.  
 \*\* Active/Active pairs of doors require exit devices be installed on both leaves.  
 \*\*\* Double egress pair of doors are unsecured and require exit devices be installed on both leaves.

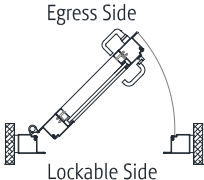
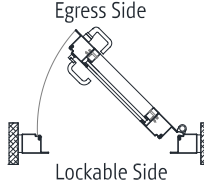
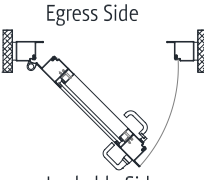
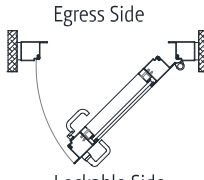
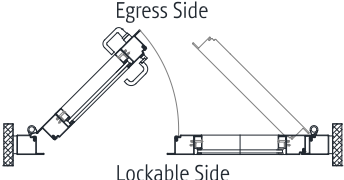
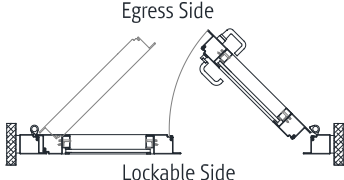
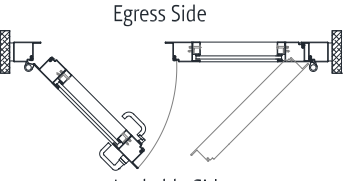
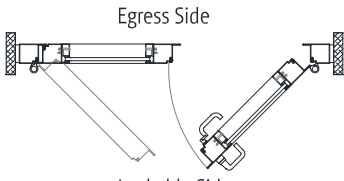
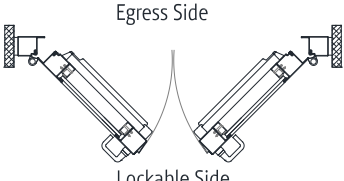
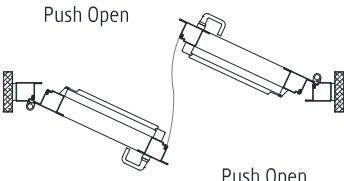
<b>LH</b>	<b>Left Hand Single Door</b>	<b>RH</b>	<b>Right Hand Single Door</b>
			
<b>LHR</b>	<b>Left Hand Reverse Single Door</b>	<b>RHR</b>	<b>Right Hand Reverse Single Door</b>
			
<b>LHA Pair</b>	<b>Left Hand Active &amp; Right Hand Fixed Pair of Doors *</b>	<b>RHA Pair</b>	<b>Right Hand Active &amp; Left Hand Fixed Pair of Doors *</b>
			
<b>LHRA Pair</b>	<b>Left Hand Reverse Active &amp; Right Hand Reverse Fixed Pair of Doors *</b>	<b>RHRA Pair</b>	<b>Right Hand Reverse Active &amp; Left Hand Reverse Fixed Pair of Doors *</b>
			
<b>LHRA/RHRA Pair (Active / Active)</b>	<b>Left Hand Reverse Active &amp; Right Hand Reverse Pair of Doors **</b>	<b>Double Egress</b>	<b>Dual Left Hand Reverse Pair of Doors ***</b>
			

Figure 6 - Door Handing Chart

## General Information

### DOOR HARDWARE CONFIGURATIONS AND HARDWARE OPTIONS

The SmokeSafe Window & Door System has been developed with narrow steel profiles which exceed traditional smoke-rated frame systems in aesthetics and performance. TGP offers a complete line of select hardware options which have been fit and function-tested for use with these profiles. Not all hardware components available are compatible with SmokeSafe Window and Door System’s narrow profile systems. Some hardware items may require a wide stile profile, and some hardware items may not be used at all to be compliant with the smoke-rated system. Should you request an item of hardware not standardly supplied by TGP, please forward all relevant information (manufacturer, model number, fabrication template and if required physical sample) to TGP for evaluation to determine if it can be supplied by TGP for use. Use of non-standard hardware may incur additional cost and lead time.

Compare door swing types (LH, RH, LHR, etc.) from the Door Handing Chart (in this manual) to the chart’s types to see available hardware standards and options for each door swing combination. For detailed hardware information refer to individual cut sheets available from Technical Glass Products.

Required: ●      Required Option: ⊙      Optional: ○      Not Available: Blank

Door Swing Type	LH	RH	LHR	RHR	LHRA/ RHRA (PAIR)	LHA (PAIR)	RHA (PAIR)	LHRA (PAIR)	RHRA (PAIR)	Manufacturer - Notes
Door Bottom Smoke Seal	●	●	●	●	●	●	●	●	●	Pemko – Automatically seals to floor when door is closed.
Perimeter Gaskets	●	●	●	●	●	●	●	●	●	TGP – Double overlapping seal system provide effective seal against weather and smoke.
Weld-On Pivot	●	●	●	●	●	●	●	●	●	TGP – Three pivots standard.
Closer	⊙	⊙	⊙	⊙	⊙					Dorma – TS9315 Surface Mounted
						⊙	⊙	⊙	⊙	Dorma – TS9315GSR, with integrated coordinator.
	⊙	⊙	⊙	⊙	⊙					Dorma – ITS96-1, Concealed.
	⊙	⊙	⊙	⊙	⊙					LCN – 4040XP Surface Mounted
						⊙	⊙	⊙	⊙	LCN – 4040XP, with Trimco 3092 coordinator.
Flushbolt						⊙	⊙	⊙	⊙	Trimco – Automatic. Latches fixed door leaf.
						⊙	⊙	⊙	⊙	Trimco – Semi-Automatic. Latches fixed door leaf.
Exit Device and Latching	⊙	⊙	⊙	⊙		⊙	⊙	⊙	⊙	TGP – Mortise Lock and Lever Handle Trim. With panic function for emergency egress.
	⊙	⊙	⊙	⊙		⊙	⊙	⊙	⊙	Schlage – L9000 Mortise Lock and Lever Handle Trim (Wide Stile Only)
	⊙	⊙	⊙	⊙	⊙	⊙	⊙	⊙	⊙	Schlage – LM9200 Multi Latch Mortise Lock and Lever Handle Trim (Wide Stile Only)
			⊙	⊙				⊙	⊙	Dorma – Rim Exit Device.
			⊙	⊙	⊙			⊙	⊙	Dorma – Surface Vertical Rod.
			⊙	⊙	⊙			⊙	⊙	Dorma – Concealed Vertical Rod.
			⊙	⊙	⊙			⊙	⊙	Von Duprin – Surface Vertical Rod.
			⊙	⊙	⊙			⊙	⊙	Von Duprin – Concealed Vertical Rod.
		⊙	⊙						Von Duprin – Rim Exit Device.	
Electric Strike	○	○	○	○		○	○	○	○	RCI – With mortise lock only, not for use with exit devices.
Profile Lock Cylinder	○	○	○	○		○	○	○	○	TGP –Schlage C Keyway (with mortise locks only).
Magnetic Shear Lock	○	○	○	○	○	○	○	○	○	Securitron – SAM2-24 concealed mounting.
Concealed Power Transfer	○	○	○	○	○	○	○	○	○	Securitron – For use with electric options.
Power Supply	○	○	○	○	○	○	○	○	○	Dorma or Von Duprin – Power for electric exit devices.

Figure 7 - Hardware Configuration Chart

## Recommended Guidelines

### 1. REVIEW CONTRACT DOCUMENTS

Review architectural drawings, specifications, and approved TGP project drawings, installation instructions, and shipping lists to become thoroughly familiar with the project. The TGP project drawings take precedence and include specific details for your installation. These installation instructions are of a general nature and cover most conditions.

### 2. BUILDING CODES

Due to the diversity in local, state / provincial, or federal laws and the codes that govern design and application of architectural products, it is the responsibility of the individual architect / owner and installer to ensure that products selected for use on projects comply with all the applicable building codes and laws. Technical Glass Products exercises no control over the use or application of its products, glazing materials, and operating hardware and assumes no responsibility thereof. Compliance of TGP project drawings with applicable codes for a given project shall be the responsibility of the Buyer.

### 3. COORDINATION WITH OTHER TRADES

Coordinate with the general contractor any sequence with other trades which impact installation (i.e. fire proofing, back-up walls, partitions, ceilings, mechanical ducts, converters etc.) or in which installation may impact the work of adjacent trades.

### 4. INSTALLATION

All materials are to be installed plumb and level.

### 5. BENCH MARKS

All work should start from bench marks and/or column lines as established by the architectural drawings and the general contractor with guaranteed accuracy. Using these datum points and lines, determine:

- a. The plane of the wall in reference to offset lines provided on each floor;
- b. The finish floor lines in reference to bench marks on the outer building columns; and
- c. Mullion spacing from both ends of openings to prevent dimensional build-up of daylight opening.

### 6. SURROUNDING CONDITIONS

- a. Coordination of adjacent material and construction tolerances to TGP' s systems may be facilitated by TGP as part of preparing project drawings, and these drawings may indicate acceptable tolerances for critical dimensions. The installer should verify that surrounding construction is in accordance with the approved project drawings. Do not accept rough opening dimensions less than shown on project drawings. It is assumed that the minimal joint dimensions shown on the TGP project drawings match the field conditions. A frame may fit within a given opening but sealants may not perform as detailed if a smaller sealant joint is installed. Expansion / contraction issues may also be compromised. **IF THE JOINTS ARE SMALLER THAN THAT SHOWN ON THE TGP PROJECT DRAWINGS, DO NOT PROCEED.** Notify the General Contractor that the conditions are not as detailed and wait for corrective work to be completed before starting this work.

## Recommended Guidelines

- b. The installer MUST notify and receive approval from TGP and the general contractor when conditions are not in accordance with approved project drawings and/or change any aspect of the structural performance of the SmokeSafe Window & Door System before making any modifications to the TGP-furnished material or making changes which are different from those shown on the TGP project drawings. These conditions include, but are not limited to, anchor placement/location, changes in adjacent materials the anchor is being connected to or changes to dimensional relationships between framing, anchors and connection to adjacent materials.
- c. TGP must review and approve any changes required prior to the subcontractor installing any “corrective” work. These reviews may incur additional charges, which must be approved by the TGP customer prior to TGP’s review.

### 7. FRAME CONSTRUCTION VARIES

Depending on size restrictions, frames are shipped fully welded ready for installation or “K-D” (knock-down) to be assembled on site with mechanical joints.

### 8. FASTENING

Within the body of these instructions, “fastening” means any method of securing one part to another or to adjacent materials by means other than welding, adhering or using a mechanical fastener as shown on the approved details. Only those fasteners used within the system are specified in these instructions. **Due to the varying perimeter conditions and performance requirements, perimeter and anchor fasteners are not specified in these instructions and are the responsibility of the installer.**

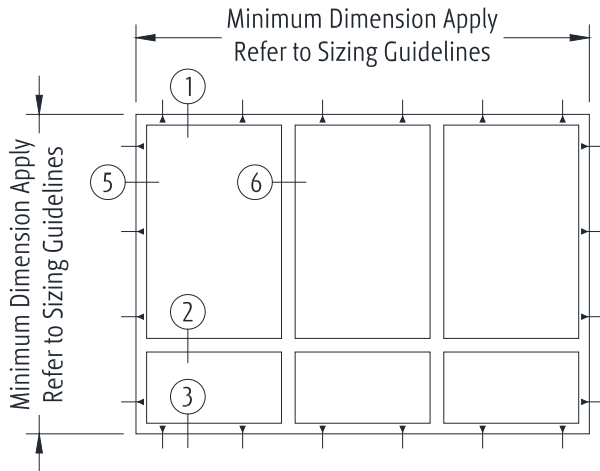
### 9. SEALANTS

- a. Sealants must be compatible with all materials they are in contact with, including other sealant surfaces. Consult with sealant manufacturer for recommendations relative to joint size, shelf life, compatibility, cleaning/priming, tooling, adhesion, etc.
- b. The chemical compatibility and/or adhesion of all glazing materials and framing sealants with each other and with like materials used in glass and frame fabrication must be established by the installer. This is required on every project.
- c. If required by the project specifications, it is the responsibility of the glazing contractor to submit any documentation or samples from the sealant manufacturer indicating that glass and glazing material has been tested for chemical compatibility and / or adhesion with glazing sealants. **This applies to all TGP materials in contact with any sealant.** TGP will furnish samples of these materials upon request.
- d. The implementation of the test results is the responsibility of the installing contractor, and includes material performance and recommendations for primers and substrate preparation required to obtain adhesion.

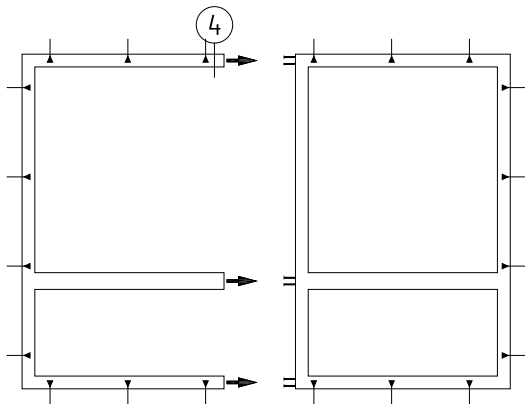
### 10. PERIMETER JOINTS

Perimeter seals and/or expansion joints shown in these instructions and in the TGP project drawings are shown at nominal size. Actual dimensions may vary due to perimeter conditions and / or difference in metal temperature between the time of fabrication and the time of installation. Design and detailing have been based on a fabrication / installation temperature of 70° F (21° C). If extreme temperatures exist at time of installation, gaps between expansion members may require slight adjustment.

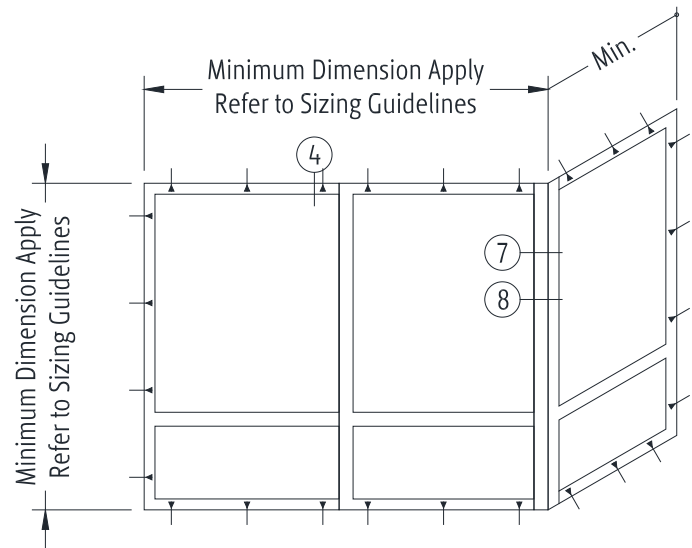
Sample Elevations – Windows




**Figure 8 - Window (Welded Joinery)**  
**INTERIOR Application**



**Figure 9 - Mechanical Joinery Example**  
**INTERIOR Application**



**Figure 10 - Mechanical Joinery and Corner**  
**INTERIOR Application**

**Perimeter Anchors** -   
Approximate anchor hole location

Sample Section Details – Windows

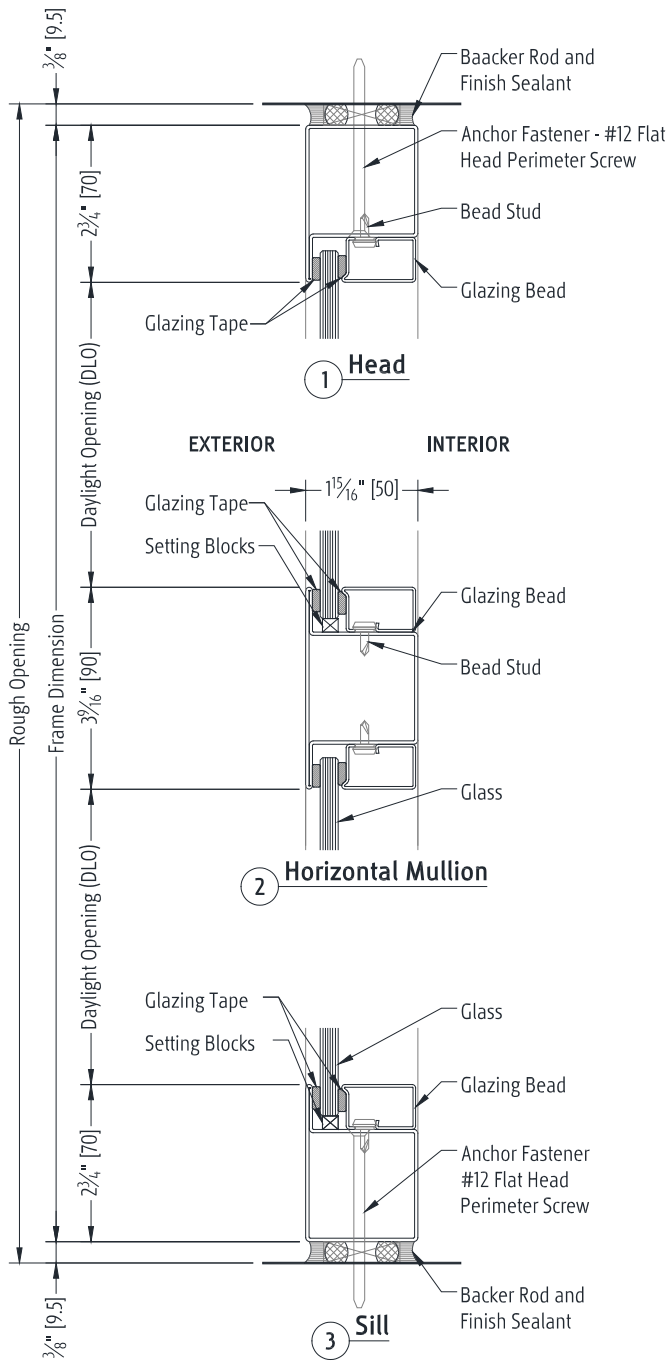


Figure 11 - INTERIOR Application

Sample Section Details – Windows

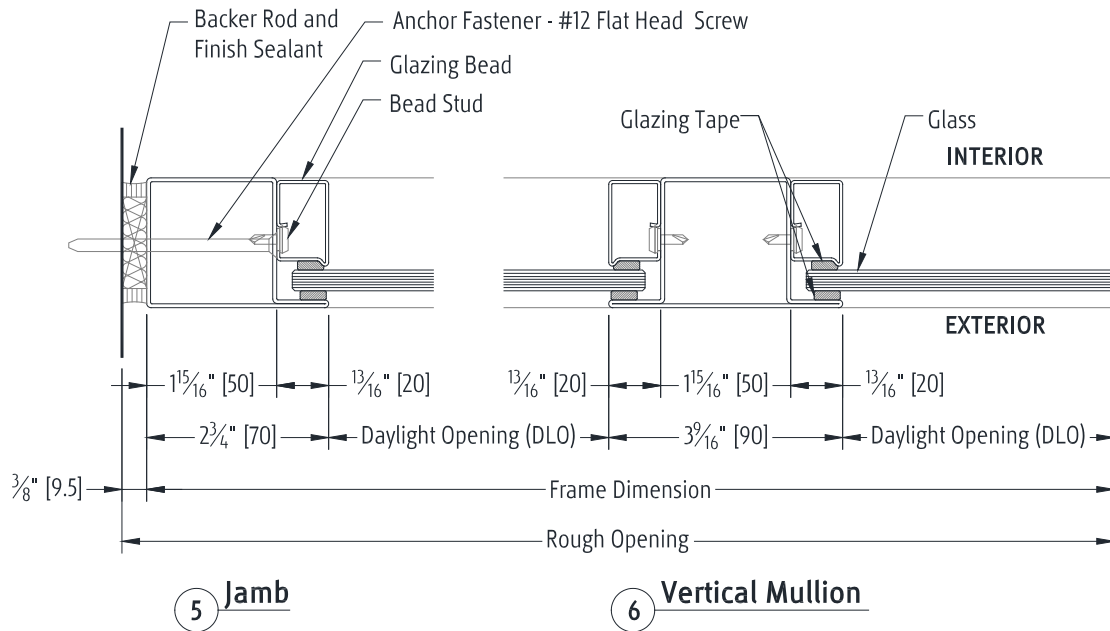
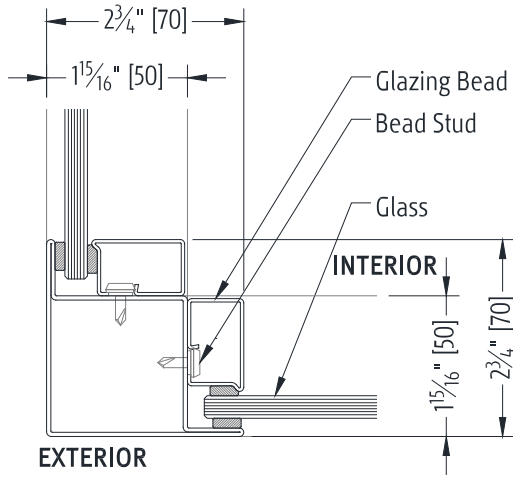


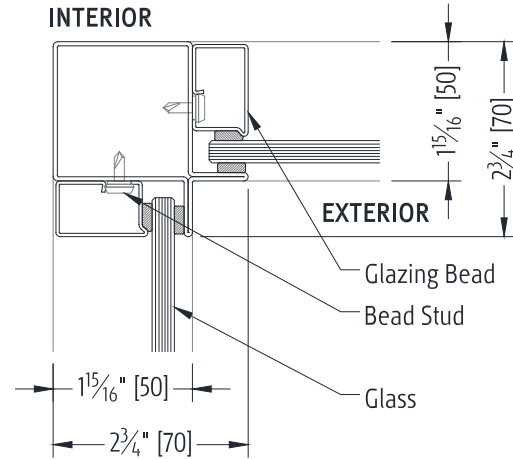
Figure 12 - INTERIOR Application

Sample Section Details – Windows



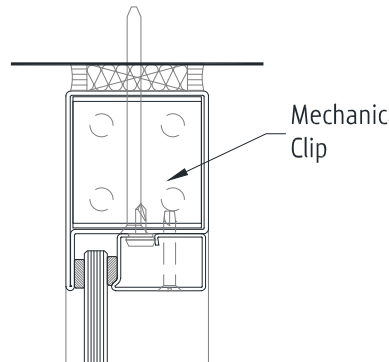
**8** 90° Outside Corner

Figure 13 - INTERIOR Application - "Outside" Corner



**7** 90° Inside Corner

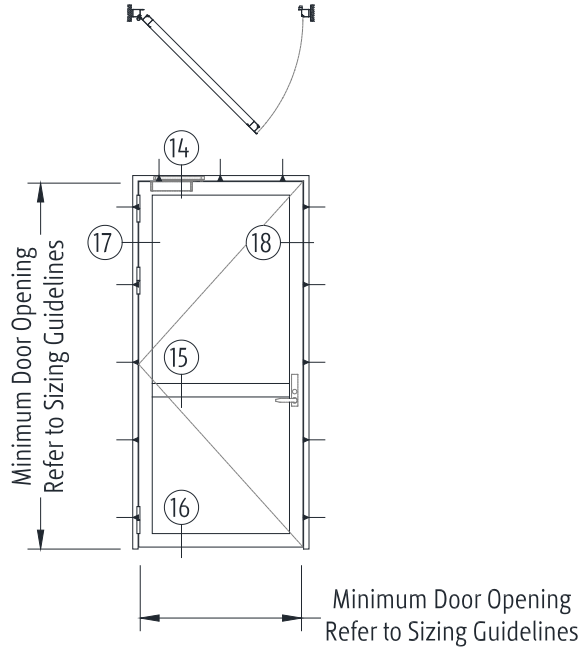
Figure 14 - INTERIOR Application - "Inside" Corner



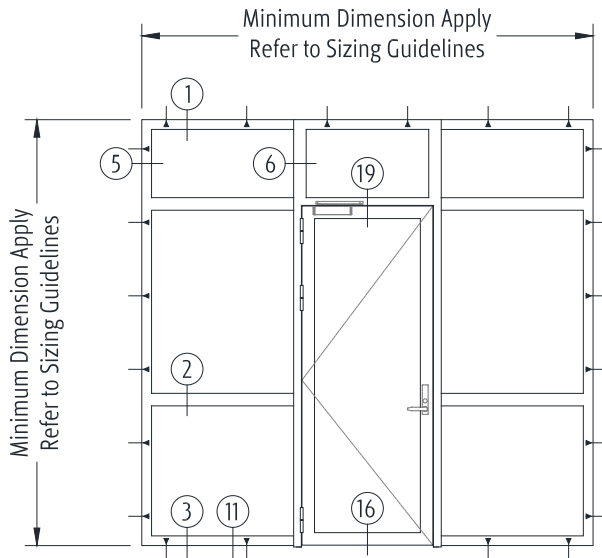
**4** Mechanical Joinery

Figure 15 - INTERIOR Application - Mechanical Joint

Sample Elevations – Single Doors



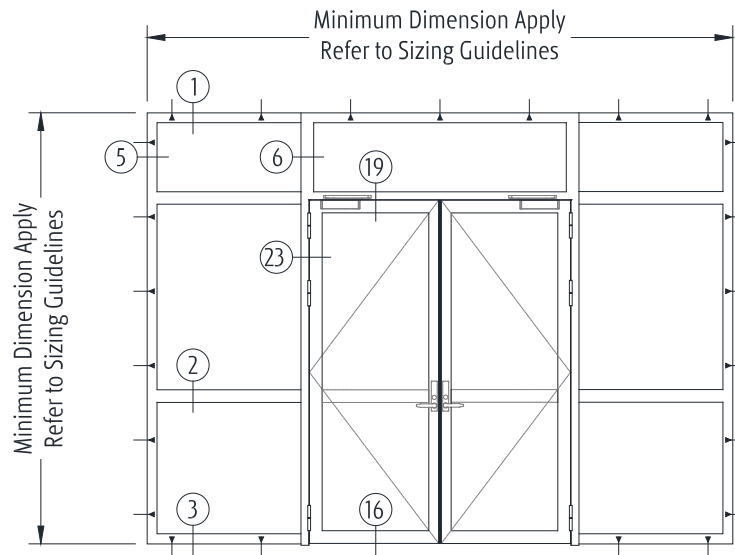
**Figure 16 - Standalone Door**



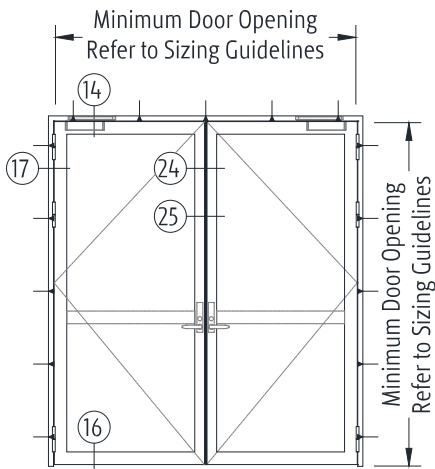
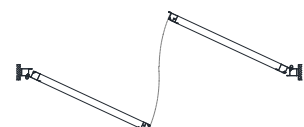
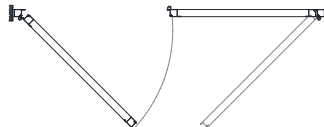
**Figure 17 - Single Door with Sidelite and Transom  
INTERIOR Application Shown**

**Perimeter Anchors -**   
Approximate anchor hole location

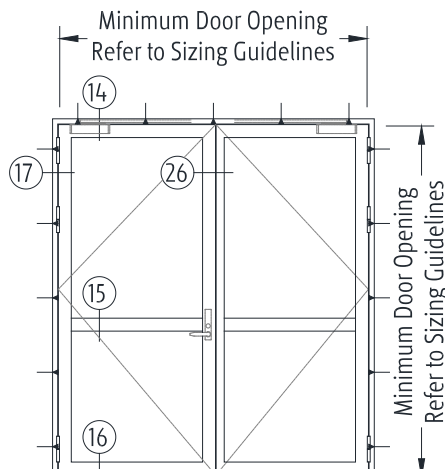
Sample Elevations – Door Pairs



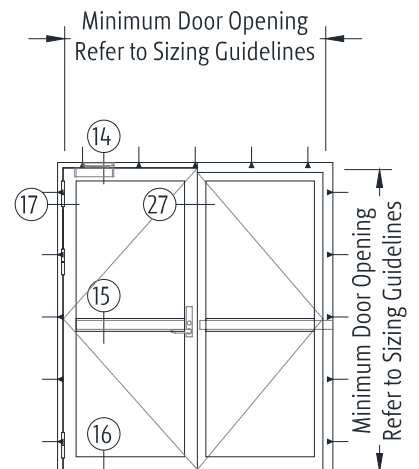
**Figure 18 - Pair of Doors with Sidelite and Transom**  
**INTERIOR Application Shown**




**Figure 19 - Active/Active Pair**



**Figure 20 - Active / Fixed Pair**



**Figure 21 - Active / Fixed Pair**

**Perimeter Anchors** -   
Approximate anchor hole location

Sample Elevations – Wide Stile Doors  
For Deep Backset Mortise Locks

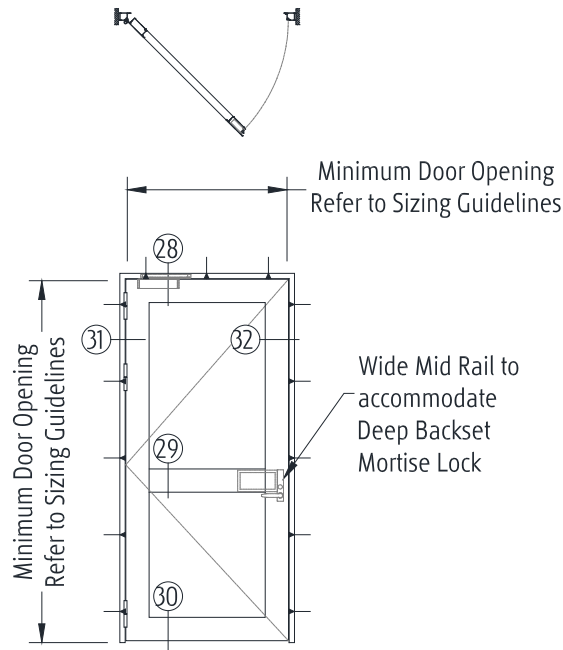


Figure 22 - Standalone Wide Stile Door

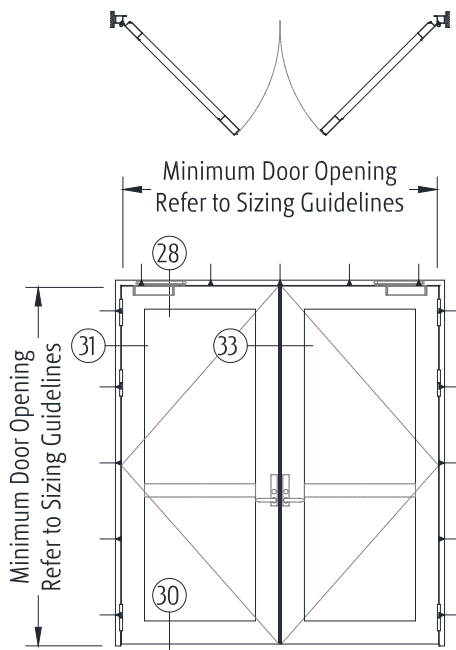


Figure 23 - Pair of Wide Stile Doors  
Active / Active

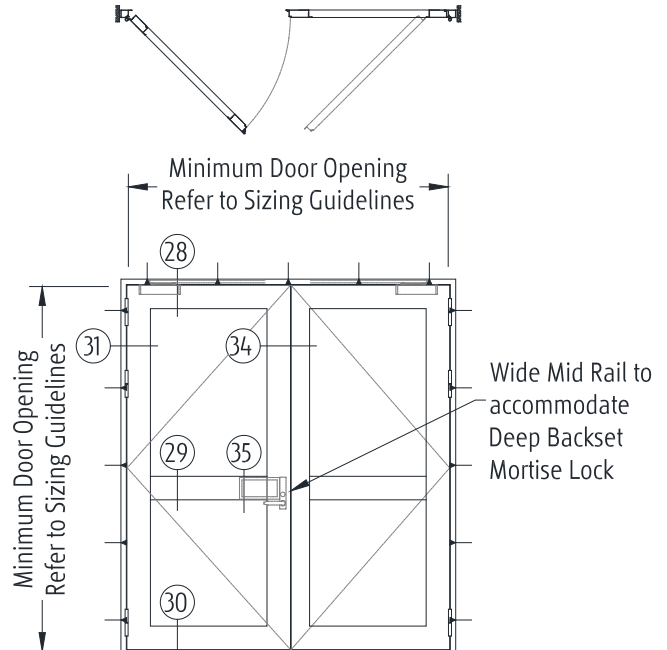


Figure 24 - Pair of Wide Stile Doors  
Active / Fixed

**Perimeter Anchors -** —  
Approximate anchor hole location

Sample Section Details – Doors

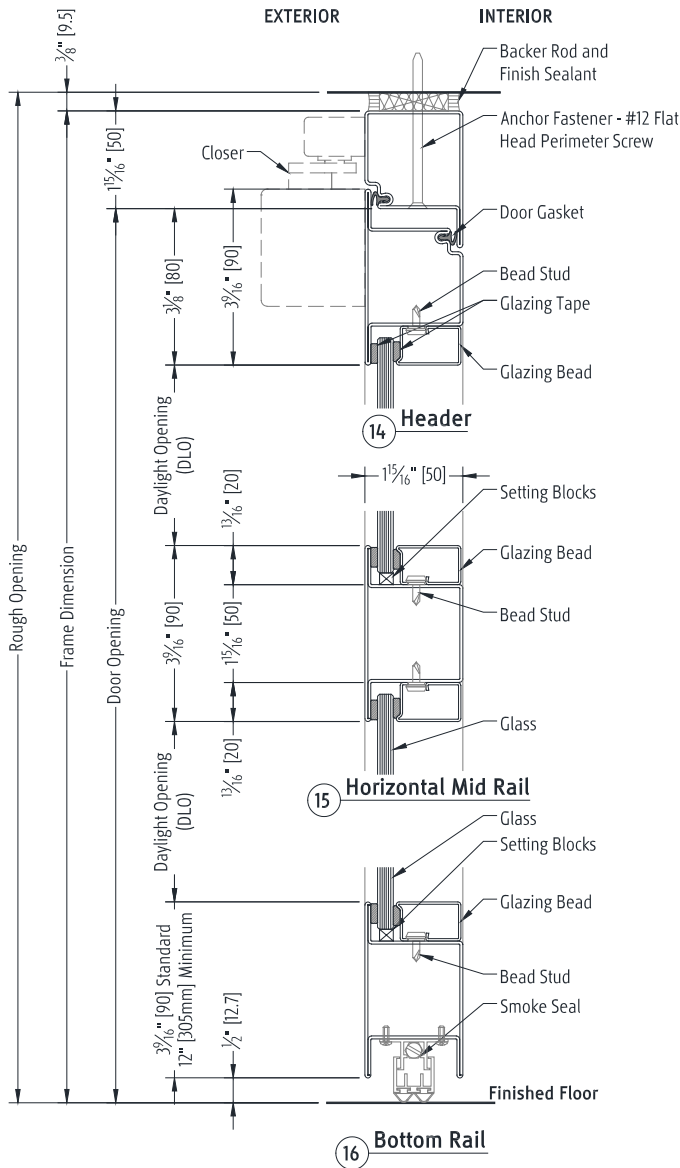


Figure 25 - Standalone Door

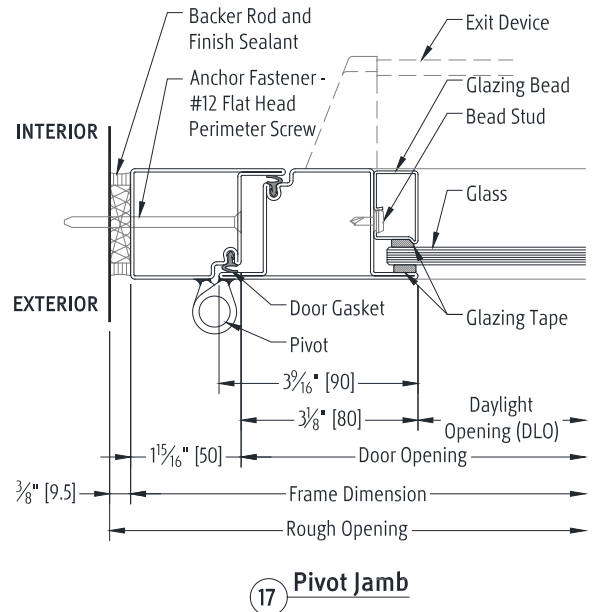


Figure 26 - Standalone Door Jamb at Pivot Side

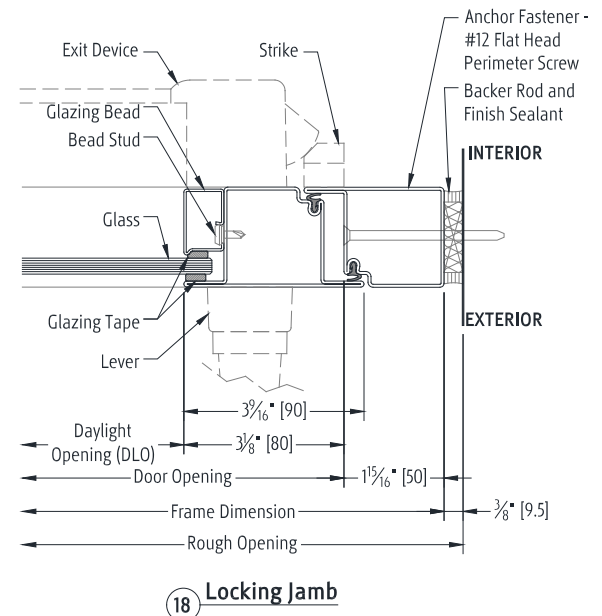
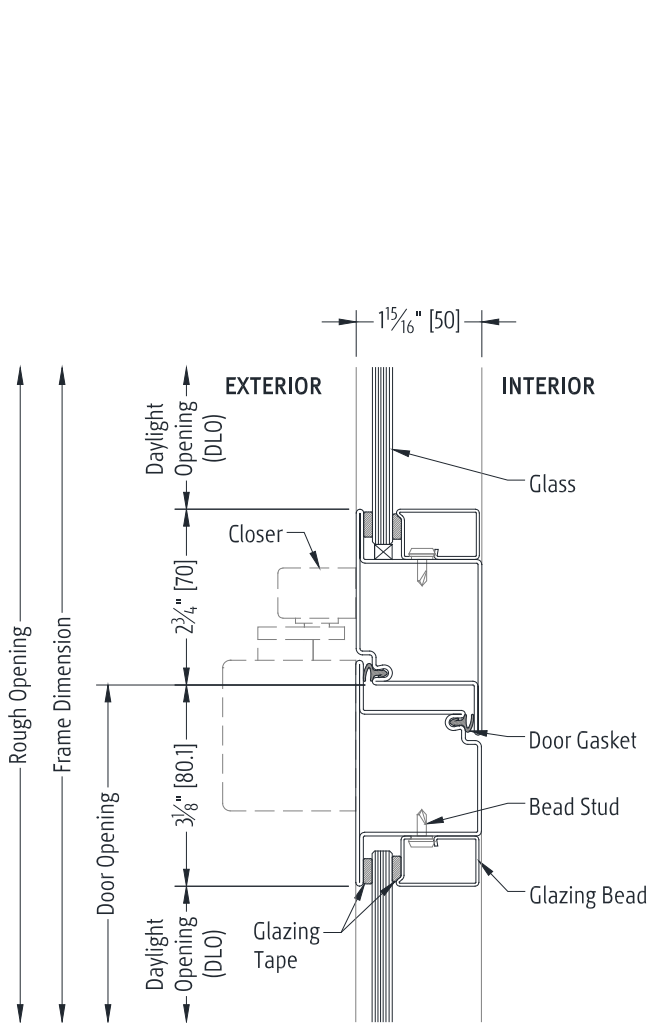


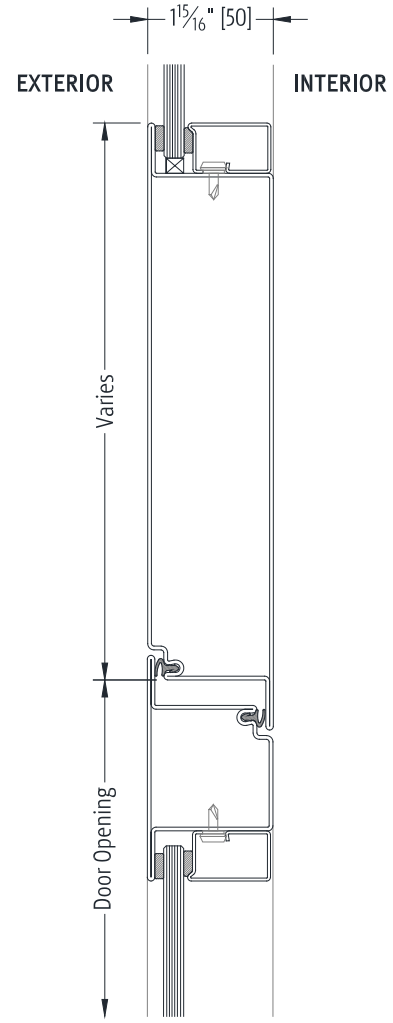
Figure 27 - Standalone Door Jamb at Lever Side

Sample Section Details – Doors



**19A** Door Header with Transom

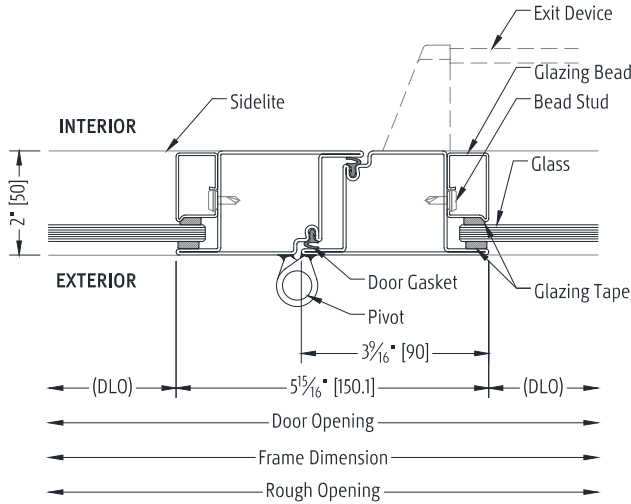
Figure 28 - Door with Transom



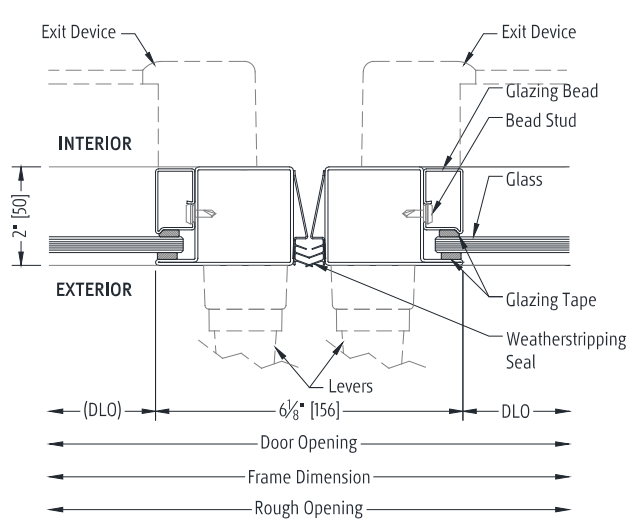
**19B** Extended Door Header  
Used with Auto-Operator

Figure 29 - Door with Extended Header

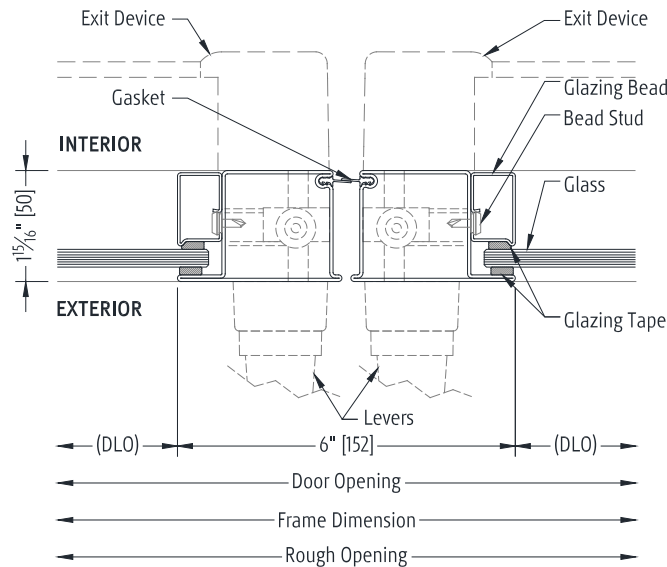
Sample Section Details – Doors



23 Pivot Jamb with Sidelite



24 Active / Active Meeting Stile (Stainless Steel Profiles)



25 Active / Active Meeting Stile (Steel Profiles)

Figure 30 - Typical Meeting Stile Combinations

Sample Section Details – Doors

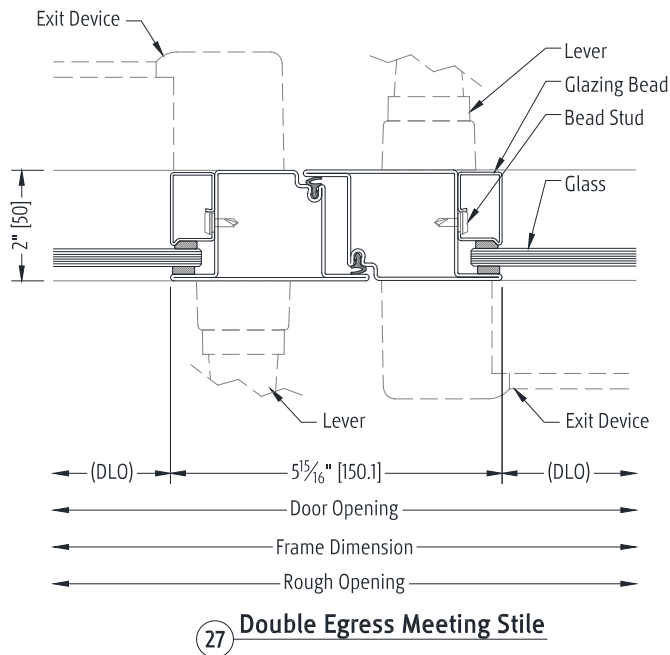
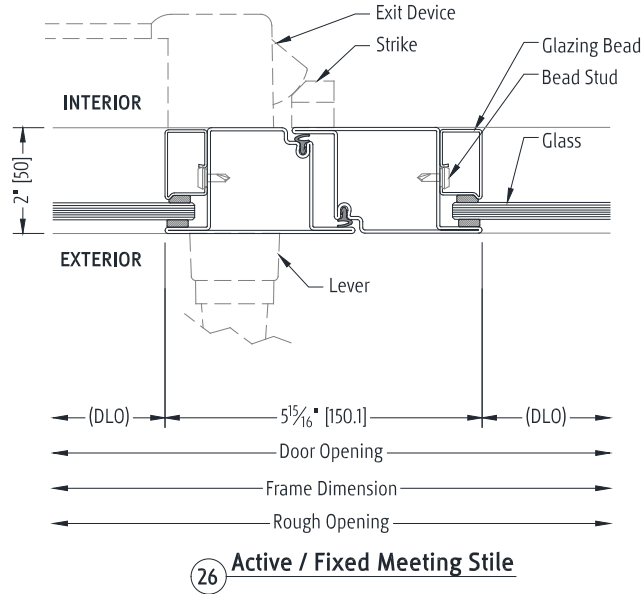


Figure 31 - Typical Meeting Stile Combinations

Sample Section Details – Doors

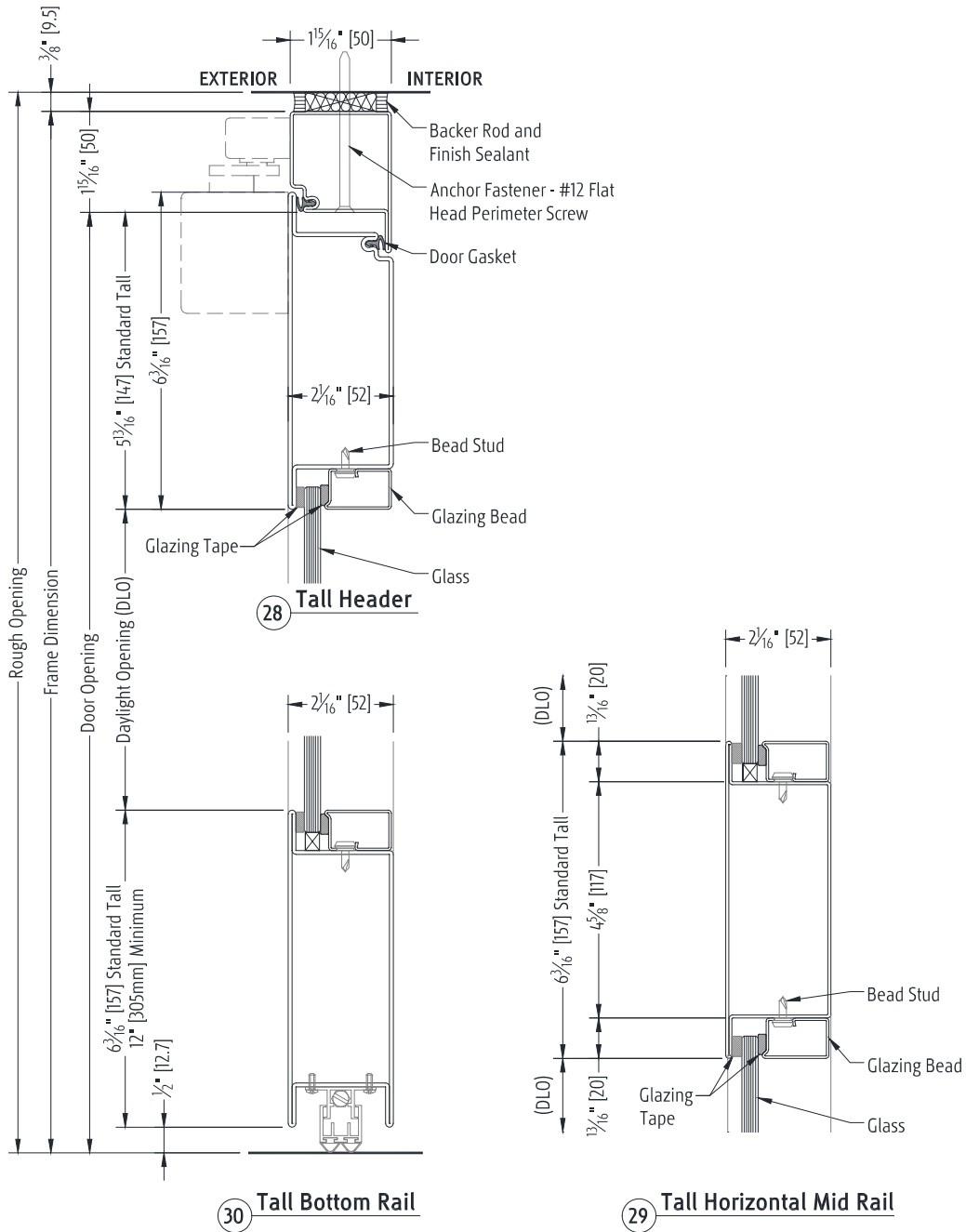


Figure 32 - Wide Stile Door Details

Sample Section Details – Doors

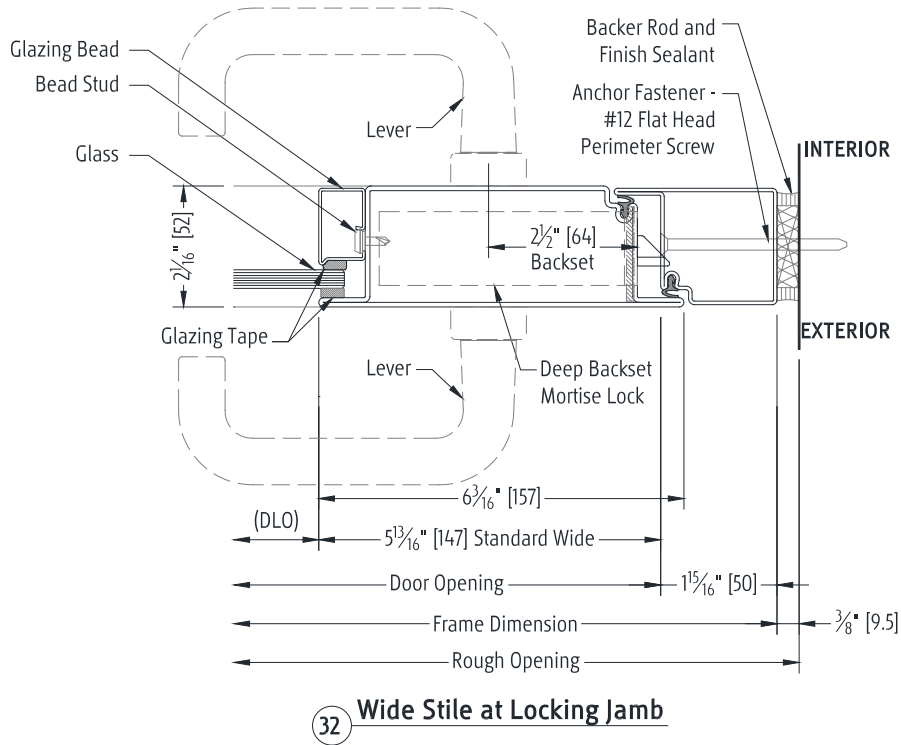
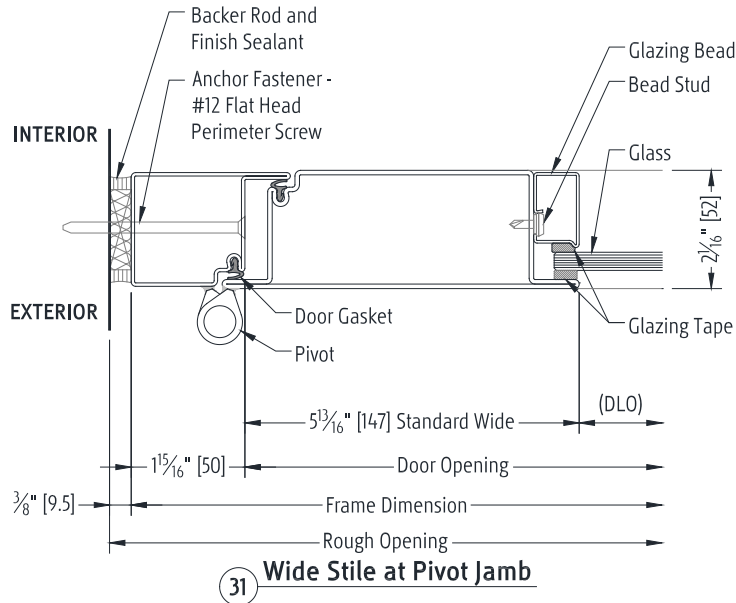
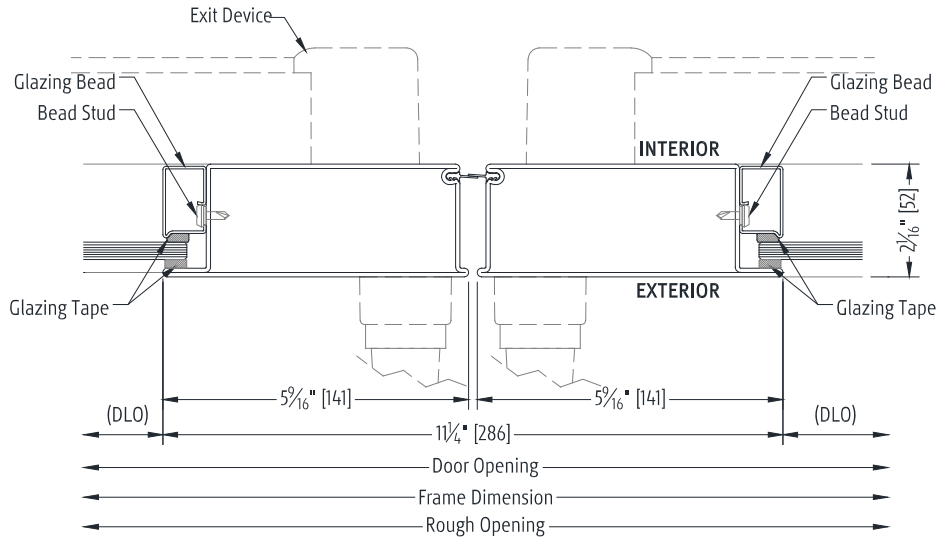
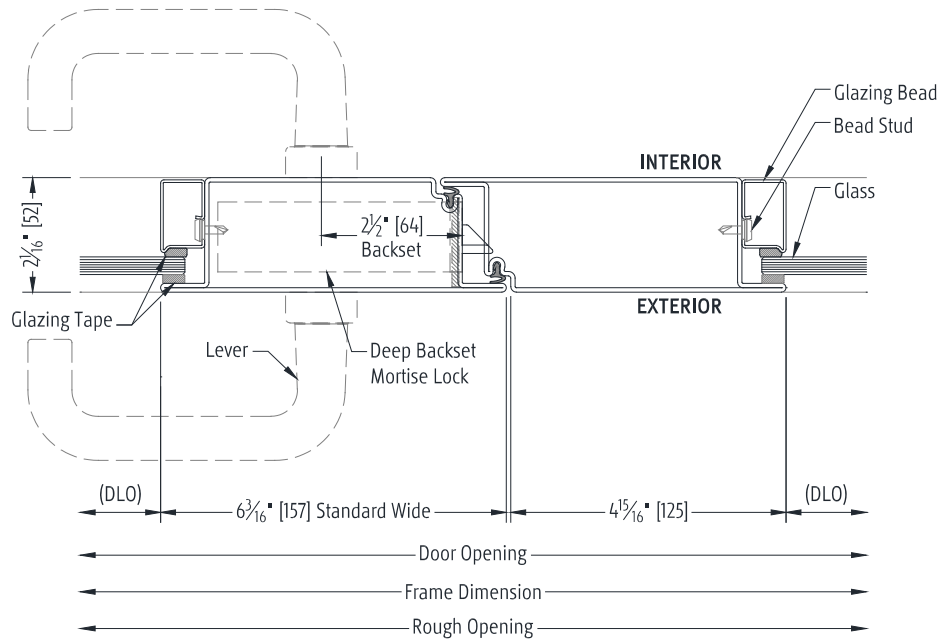


Figure 33 - Wide Stile Jamb Combinations

Sample Section Details – Doors



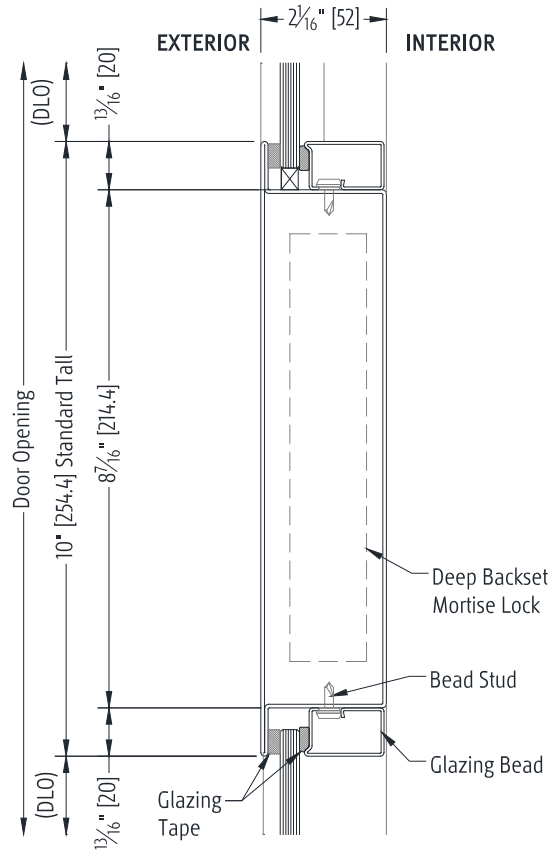
**33 Active / Active Wide Meeting Stile (Steel Profiles Only)**



**34 Active / Fixed Wide Meeting Stile  
Deep Backset Mortise Lock**

**Figure 34 - Wide Stile Meeting Combinations**

Sample Section Details – Doors



**35** Wide Mid Rail for Deep Backset Mortise Lock

Figure 35 - Extra Wide Mid Rail Detail

In accordance with California Prop 65, products received from TGP may contain the required warning label (below) indicating that they may contain door hardware or other components known to cause cancer and reproductive harm. For more information, go to [www.P65Warnings.ca.gov](http://www.P65Warnings.ca.gov).

In accordance with California PROP65 -  
**⚠️ WARNING:** Cancer and Reproductive Harm-[www.P65Warnings.ca.gov](http://www.P65Warnings.ca.gov)  
**⚠️ ADVERTENCIA:** Cáncer y Daño Reproductivo-[www.P65Warnings.ca.gov](http://www.P65Warnings.ca.gov)  
**⚠️ AVERTISSEMENT:** Cancer et Troubles de l'appareil reproducteur-  
[www.P65Warnings.ca.gov](http://www.P65Warnings.ca.gov) P518-742