

## Fire-Rated Steel Curtain Wall

### Fire Rating: 45/60/120 Minutes (180 Minutes\*)

Fireframes® Curtainwall Series incorporates precise engineering allowing for large, multi-story expanses of glass in interior and exterior applications using narrow steel profiles.

#### FEATURES

- Fire ratings of 45, 60 and 120 minutes with required hose stream test (180 minutes\*)
- Unrestricted glazing area for use in locations where total glazing exceeds 25% of wall area (60 and 180 minutes)
- Compatible with full-lite doors from TGP in single leaf or double leaf design (see Fireframes Designer Series or Fireframes Heat Barrier Series)
- Narrow steel and stainless steel profiles
- Air and water pressure tested and approved for exterior use
- Easy installation similar to typical pressure plate curtain wall
- Frames supplied “K-D” (knock down) ready for installation or welded depending on application
- Incorporates large individual panes of Fireglass® fire-resistive-rated glass, composed of Pilkington Optiwhite™ glass and clear intumescent interlayers
- Durable steel and stainless steel frames ensure low maintenance system
- Finished face caps (aluminum, stainless steel, etc.) to meet project needs
- Custom aluminum face caps to meet project needs
- Finish painted at the factory to match desired color scheme
- Select profiles are available in 304 stainless steel up to 60 minutes (#4 brush finish)

#### LISTINGS/STANDARDS

Classified and labeled by Underwriters Laboratories Inc. and Underwriters Laboratories of Canada. File numbers R25274 (walls) and R25229 (windows), design number U537 (W473 Canada). Frame tests performed in accordance with:

UL 9	NFPA 251	CAN/ULC-S101	ASTM E119	AAMA 501.1
UL 263	NFPA 257	CAN/ULC-S106	ASTM E283	
			ASTM E330	
			ASTM E331	

\*For Warnock Hersey | Intertek listed products, tested to BS 476 Part 22 (1987), EN 1364-1 (2015), BS 476 Part 20 (1987), EN1634-1:2014+A1(2018), see spec ID 50721 and/or certificate number WHI19-33395001 for specific sizes and limitations.

#### FRAMING

RATING	MAX. EXPOSED GLASS AREA PER PIECE	MAX. EXPOSED GLASS DIMENSION
45 min.*	4,500 in <sup>2</sup> (2.90 m <sup>2</sup> )	95-1/4" (2.42 m)
60 min.**	7,442 in <sup>2</sup> (4.80 m <sup>2</sup> )	118-1/8" (3.00 m)
120 min.**	3,730 in <sup>2</sup> (2.41 m <sup>2</sup> )	111" (2.81 m)

\* 45 minute window systems are classified as an Opening Protective as per UL 9 with a maximum overall frame size of 152 square feet.

\*\* 60 and 120-minute tests conducted per UL 263 / ASTM E-119. Therefore assembly is classified as a wall assembly, and not subject to “opening” area limitations.

**Note:** Individual lite sizes cannot exceed “Max. Exposed Area” shown above.



BIM 3D Model Available



UL Classified & Labeled



Intertek

Intertek Listed & Labeled



Fire-Rated



Hose Stream Tested



Heat Barrier

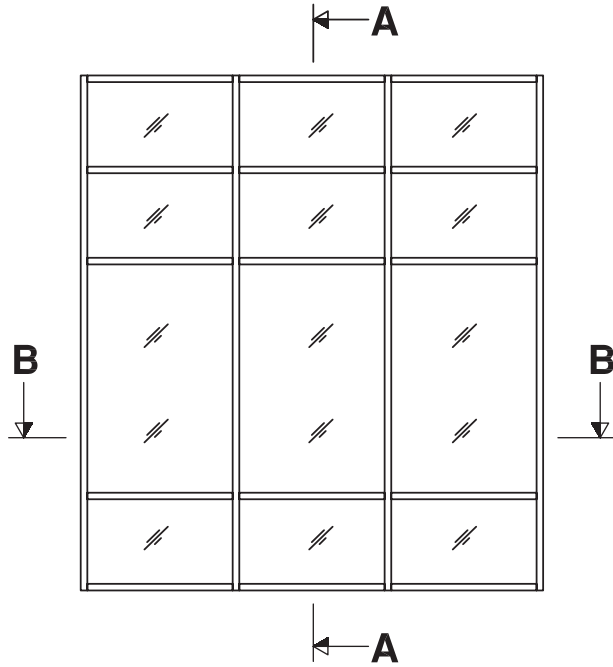


Positive Pressure Tested

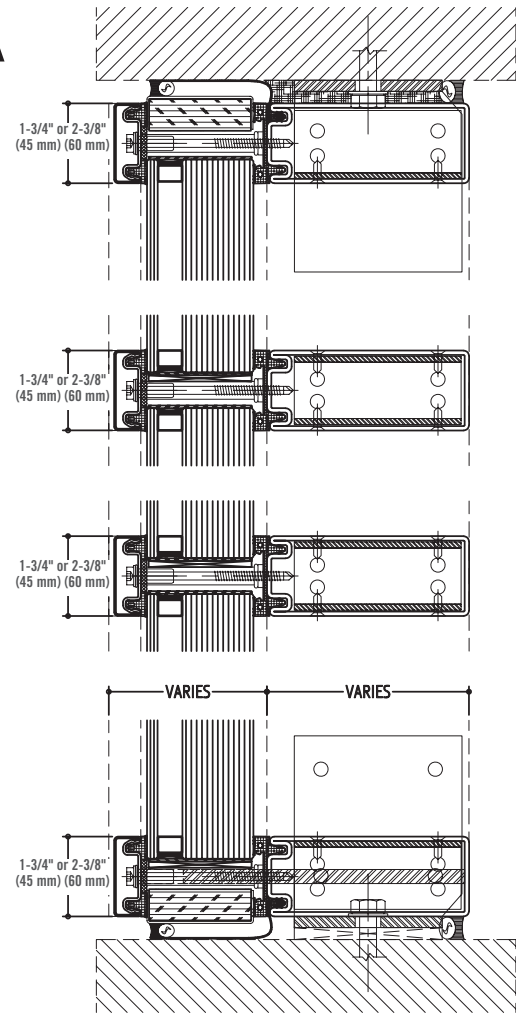


Stainless Steel Option

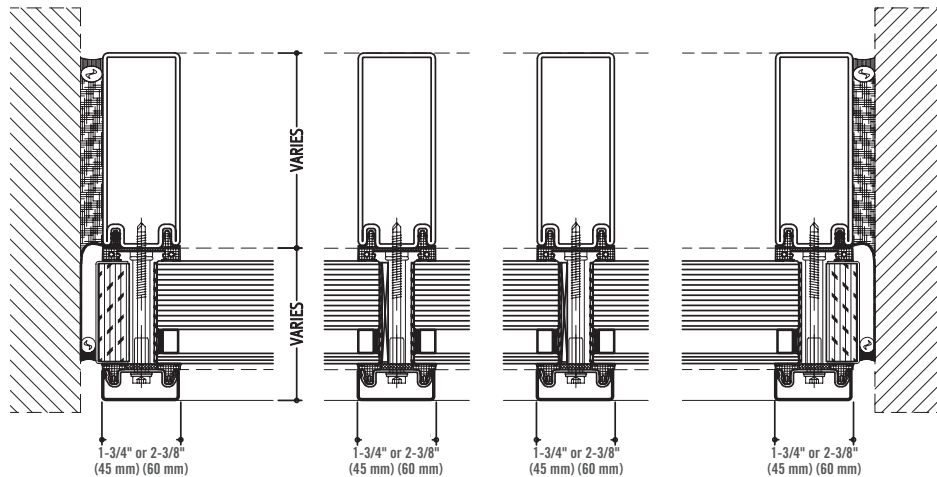
**DETAIL DRAWINGS**



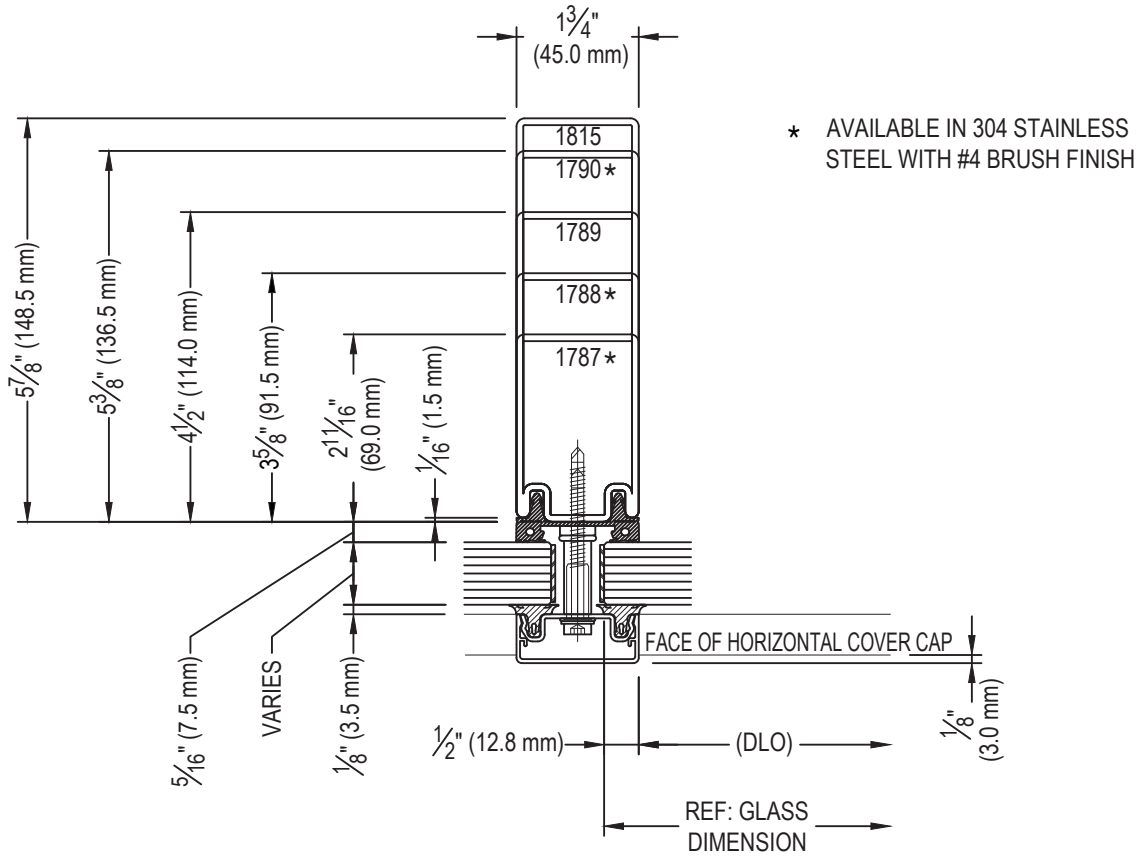
**A-A**



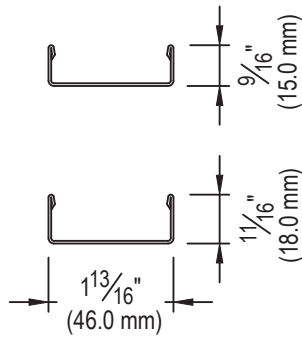
**B-B**



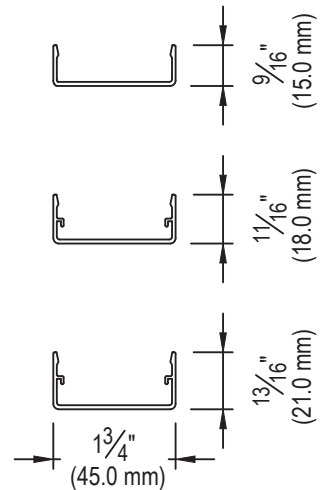
**45 MM MULLION PROFILE OPTIONS**



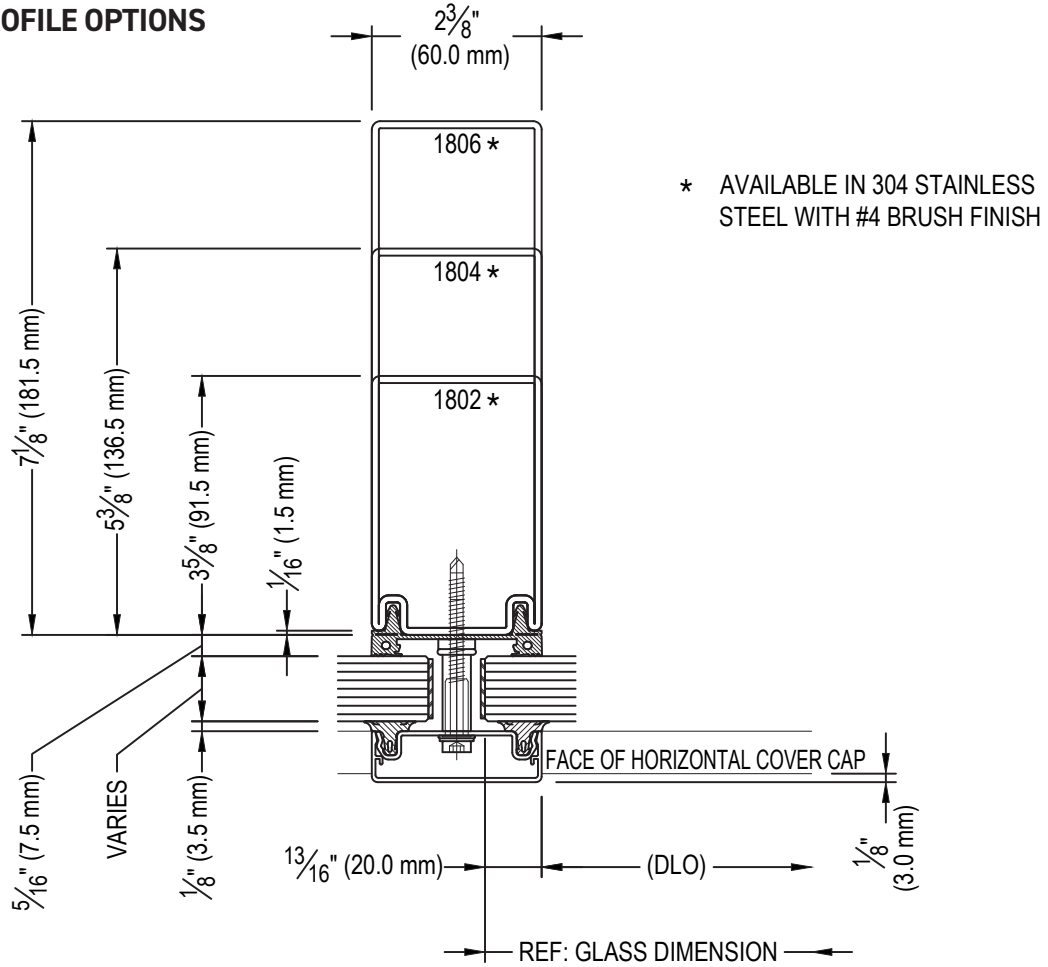
**STAINLESS STEEL COVER CAPS**



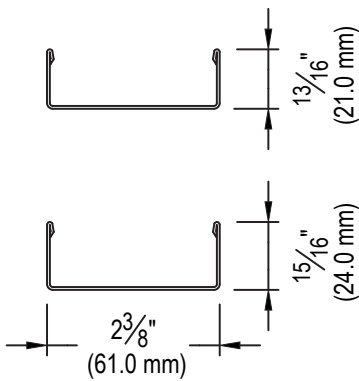
**ALUMINUM COVER CAPS**



**60 MM MULLION PROFILE OPTIONS**



**STAINLESS STEEL COVER CAPS**



**ALUMINUM COVER CAPS**

