



FIRE-RATED



HOSE STREAM TESTED



IMPACT-RATED



HEAT BARRIER



POSITIVE PRESSURE TESTED



BUTT-GLAZED, SAFETY-RATED TRANSPARENT WALL PANELS FOR INTERIOR USE

Fireframes ClearView™ System is comprised of butt-glazed Pilkington Pyrostop®, low-iron fire-rated and impact safety-rated glass with a heat resistive perimeter frame. TGP's butt-glazed joints feature nearly colorless transitions between adjoining pieces of the low-iron glass, eliminating the need for colored internal glass unit spacers or vertical frame mullions. The perimeter of each butt-glazed elevation is held in place by the designer's choice of TGP's narrow profile Fireframes® fire-rated frames.

FEATURES

- Protection against radiant and conductive heat transfer
- Barrier to fire and smoke
- Fire-rated for up to 60 minutes with required hose stream test
- Impact safety-rated – meets CPSC 16CFR1201 (Cat. II)
- For use in interior applications
- Virtually uninterrupted views and light transmission
- Narrow 5 mm vertical butt joint
- Pilkington Pyrostop glass is comprised of layers of Pilkington Optiwhite™ nearly colorless, wireless, low- iron float glass and clear intumescent interlayers (multi-laminate, not a sensitive polymer gel)

LISTINGS

Listed with Underwriters Laboratories, Inc.® File number is dependent on perimeter frame selection (Fireframes Heat Barrier Series U533, and L-Angle U531). Tests performed in accordance with ASTM E-119, CAN/ULC-S101, UL 263, UL 9, NFPA 251, NFPA 257, and CAN4 S-106. Approved for use in New York City: MEA 240-00-M. Approved for use in Los Angeles: LARR 25798.

PILKINGTON PYROSTOP PRODUCT DATA

FIRE-RATING	MANUFACTURER'S DESIGNATION	NOMINAL THICKNESS	WEIGHT APPROX.	U-VALUE	DAYLIGHT TRANS. APPROX. (%)	STC RATING APPROX. (%)	MAX. EXPOSED AREA	MAX. WIDTH OF EXPOSED GLAZING	MAX. HEIGHT OF EXPOSED GLAZING	MIN. WIDTH (IN)
60	60-201	27 mm	12.5 lb / ft ² (61 kg / m ²)	.83	86	44	7,442 in ² (4.80 m ²)	63" (1.6 m)	118-1/8" (3.0 m)	31-9/16" (.80 m)

FRAME OPTIONS

Fireframes ClearView System is available with the following perimeter frames, Fireframes® Heat Barrier Series, and L-angle steel by others. Please see Fireframes Heat Barrier Series fact sheet for more detail.

LABELING

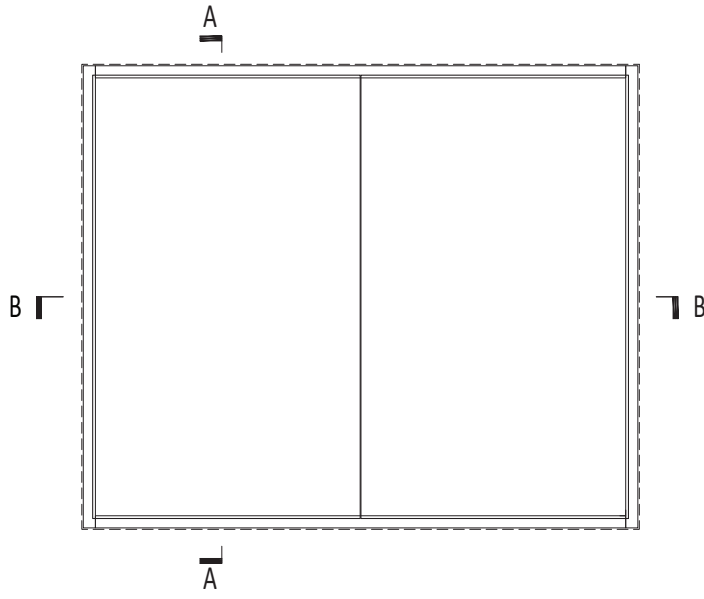
Each piece of Pilkington Pyrostop shall be permanently labeled with the Pilkington Pyrostop logo, UL logo and fire rating.

STORAGE & HANDLING

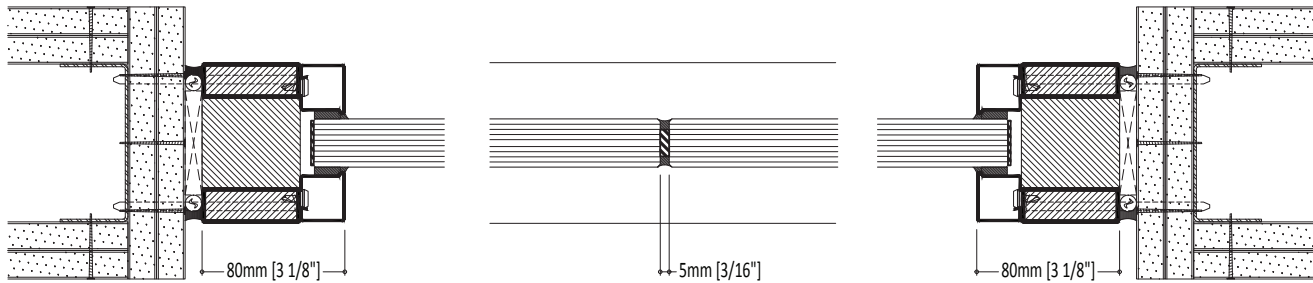
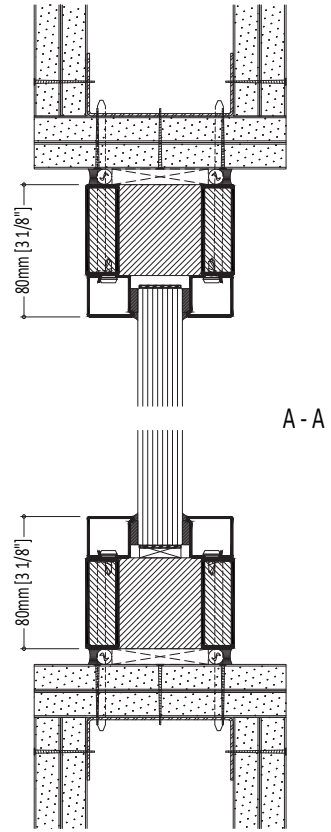
Pilkington Pyrostop must be handled with care during transportation, storage, inspection and installation. It should be stored in dry conditions, stocked vertically and fully supported in a manner which prevents the glass from sagging. During storage and transportation, the temperature of Pilkington Pyrostop should not exceed 122°F (50°C). Do not expose the "non-PVB" side of the glass to UV light. Do not remove the protective edge tape. See manufacturer's installation and warranty information for further details.

DETAIL DRAWINGS

Details shown use Fireframes Heat Barrier Series frames by TGP.



ELEVATION VIEW



B - B

