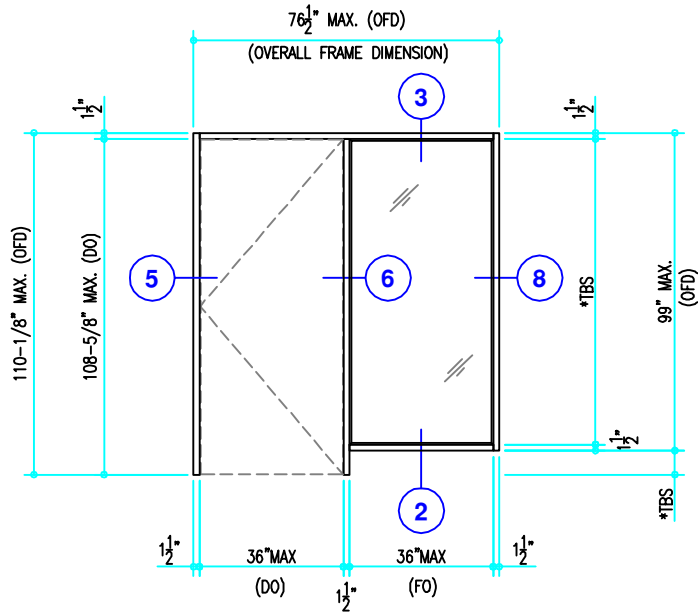


Fireframes®

Hardwood Series 45 Minute Doors and Sidelites

Detail Drawings



SINGLE DOOR FRAME WITH SIDELITE
(TYPE A)

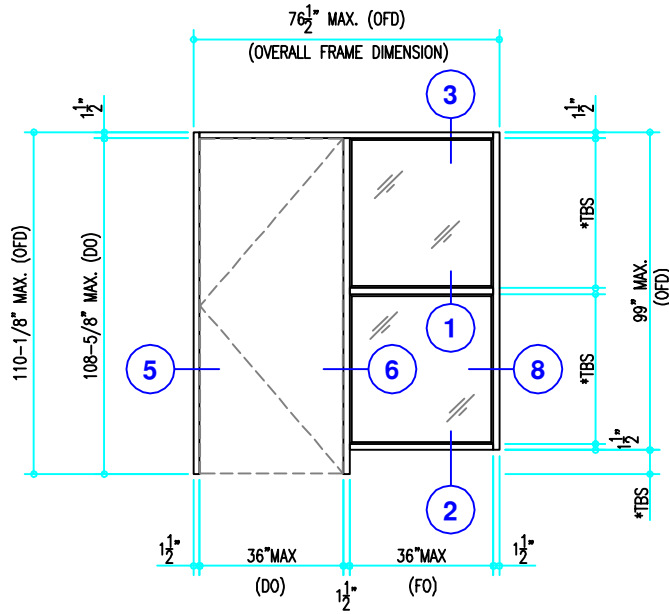
*TBS = DIMENSION TO BE SPECIFIED

Hardwood Series-45 Minute

WINDOW FRAMING	MAX. EXPOSED	MAX. EXPOSED	**MAX. WIDTH OF	**MAX. HEIGHT OF
RATING	GLASS TYPE	GLASS AREA PER PIECE	FRAME OPENING	FRAME OPENING
45 MINUTES	*FIRELITE	3260 SQ. INCHES	36"	96"
45 MINUTES	FIRELITE NT	3260 SQ. INCHES	36"	96"
45 MINUTES	FIRELITE PLUS	3260 SQ. INCHES	36"	96"
45 MINUTES	FIRELITE IGU	3260 SQ. INCHES	36"	96"
45 MINUTES	PYROSTOP (19mm)	3260 SQ. INCHES	36"	96"
DOOR FRAMING		MAX. SINGLE		
RATING	DOOR LEAF SIZE			
45 MINUTES	36" X 108"			

* FOR NON-SAFETY RATED APPLICATIONS ONLY

** EXPOSED GLASS WIDTH AND HEIGHT WILL BE 1-1/2" LESS THAN WINDOW OPENING AFTER STOPS ARE APPLIED



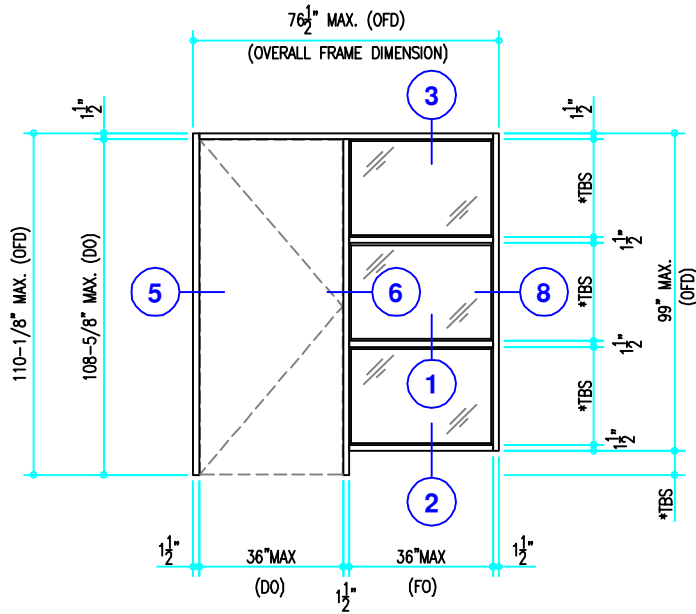
SINGLE DOOR FRAME WITH SIDELITE
(TYPE B)

*TBS = DIMENSION TO BE SPECIFIED

Hardwood Series-45 Minute

<u>WINDOW FRAMING</u>	<u>MAX. EXPOSED</u>	<u>MAX. EXPOSED</u>	<u>**MAX. WIDTH OF</u>	<u>**MAX. HEIGHT OF</u>
<u>RATING</u>	<u>GLASS TYPE</u>	<u>GLASS AREA PER SIDELITE</u>	<u>FRAME OPENING</u>	<u>FRAME OPENING</u>
45 MINUTES	*FIRELITE	3260 SQ. INCHES	36"	96"
45 MINUTES	FIRELITE NT	3260 SQ. INCHES	36"	96"
45 MINUTES	FIRELITE PLUS	3260 SQ. INCHES	36"	96"
45 MINUTES	FIRELITE IGU	3260 SQ. INCHES	36"	96"
45 MINUTES	PYROSTOP (19mm)	3260 SQ. INCHES	36"	96"
<u>DOOR FRAMING</u>	<u>MAX. SINGLE</u>			
<u>RATING</u>	<u>DOOR LEAF SIZE</u>			
45 MINUTES	36" X 108"			

** EXPOSED GLASS WIDTH AND HEIGHT WILL BE 1-1/2" LESS THAN WINDOW OPENING AFTER STOPS ARE APPLIED



SINGLE DOOR FRAME WITH SIDE LITE
(TYPE C)

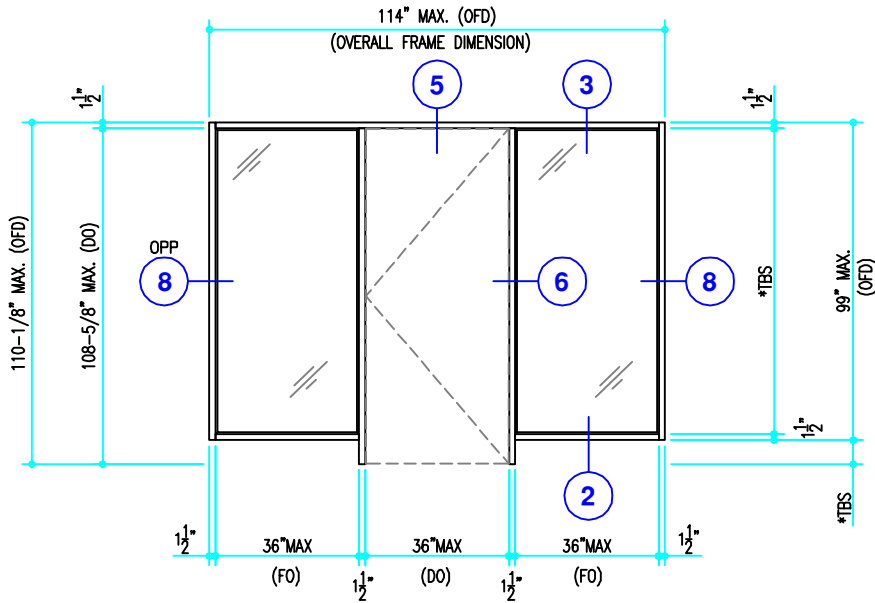
*TBS = DIMENSION TO BE SPECIFIED

Hardwood Series-45 Minute

WINDOW FRAMING	MAX. EXPOSED	MAX. EXPOSED	**MAX. WIDTH OF	**MAX. HEIGHT OF
<u>RATING</u>	<u>GLASS TYPE</u>	<u>GLASS AREA PER SIDELITE</u>	<u>FRAME OPENING</u>	<u>FRAME OPENING</u>
45 MINUTES	*FIRELITE	3260 SQ. INCHES	36"	96"
45 MINUTES	FIRELITE NT	3260 SQ. INCHES	36"	96"
45 MINUTES	FIRELITE PLUS	3260 SQ. INCHES	36"	96"
45 MINUTES	FIRELITE IGU	3260 SQ. INCHES	36"	96"
45 MINUTES	PYROSTOP (19mm)	3260 SQ. INCHES	36"	96"
DOOR FRAMING	MAX. SINGLE			
<u>RATING</u>	<u>DOOR LEAF SIZE</u>			
45 MINUTES	36" X 108"			

* FOR NON-SAFETY RATED APPLICATIONS ONLY

** EXPOSED GLASS WIDTH AND HEIGHT WILL BE 1-1/2" LESS THAN WINDOW OPENING AFTER STOPS ARE APPLIED



SINGLE DOOR FRAME WITH SIDELITES
(TYPE D)

*TBS = DIMENSION TO BE SPECIFIED

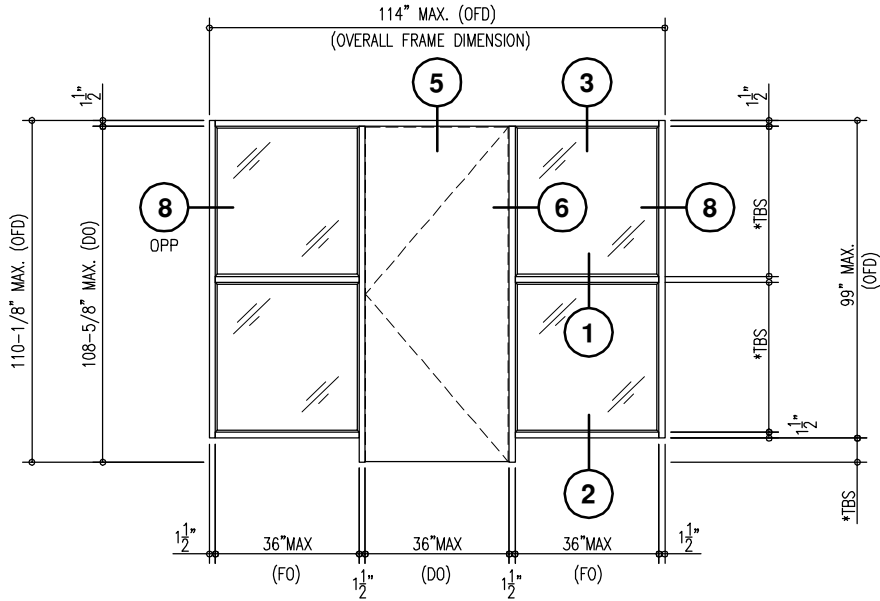
Hardwood Series-45 Minute

WINDOW FRAMING RATING	MAX. EXPOSED GLASS TYPE	MAX. EXPOSED GLASS AREA PER SIDELITE	**MAX. WIDTH OF FRAME OPENING	**MAX. HEIGHT OF FRAME OPENING
45 MINUTES	*FIRELITE	3260 SQ. INCHES	36"	96"
45 MINUTES	FIRELITE NT	3260 SQ. INCHES	36"	96"
45 MINUTES	FIRELITE PLUS	3260 SQ. INCHES	36"	96"
45 MINUTES	FIRELITE IGU	3260 SQ. INCHES	36"	96"
45 MINUTES	PYROSTOP (19mm)	3260 SQ. INCHES	36"	96"

DOOR FRAMING RATING	MAX. SINGLE DOOR LEAF SIZE
45 MINUTES	36" X 108"

* FOR NON-SAFETY RATED APPLICATIONS ONLY

** EXPOSED GLASS WIDTH AND HEIGHT WILL BE 1-1/2" LESS THAN WINDOW OPENING AFTER STOPS ARE APPLIED



SINGLE DOOR FRAME WITH SIDELITES
(TYPE E)

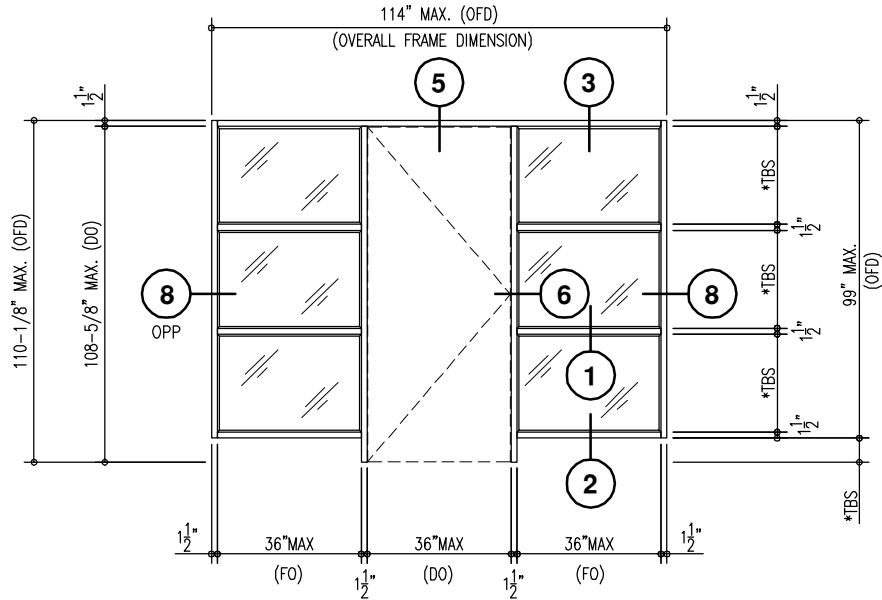
*TBS = DIMENSION TO BE SPECIFIED

Hardwood Series-45 Minute

WINDOW FRAMING	MAX. EXPOSED	MAX. EXPOSED	**MAX. WIDTH OF	**MAX. HEIGHT OF
RATING	GLASS TYPE	GLASS AREA PER SIDELITE	FRAME OPENING	FRAME OPENING
45 MINUTES	*FIRELITE	3260 SQ. INCHES	36"	96"
45 MINUTES	FIRELITE NT	3260 SQ. INCHES	36"	96"
45 MINUTES	FIRELITE PLUS	3260 SQ. INCHES	36"	96"
45 MINUTES	FIRELITE IGU	3260 SQ. INCHES	36"	96"
45 MINUTES	PYROSTOP (19mm)	3260 SQ. INCHES	36"	96"
DOOR FRAMING	MAX. SINGLE			
RATING	DOOR LEAF SIZE			
45 MINUTES	36" X 108"			

* FOR NON-SAFETY RATED APPLICATIONS ONLY

** EXPOSED GLASS WIDTH AND HEIGHT WILL BE 1-1/2" LESS THAN WINDOW OPENING AFTER STOPS ARE APPLIED



SINGLE DOOR FRAME WITH SIDELITES
(TYPE F)

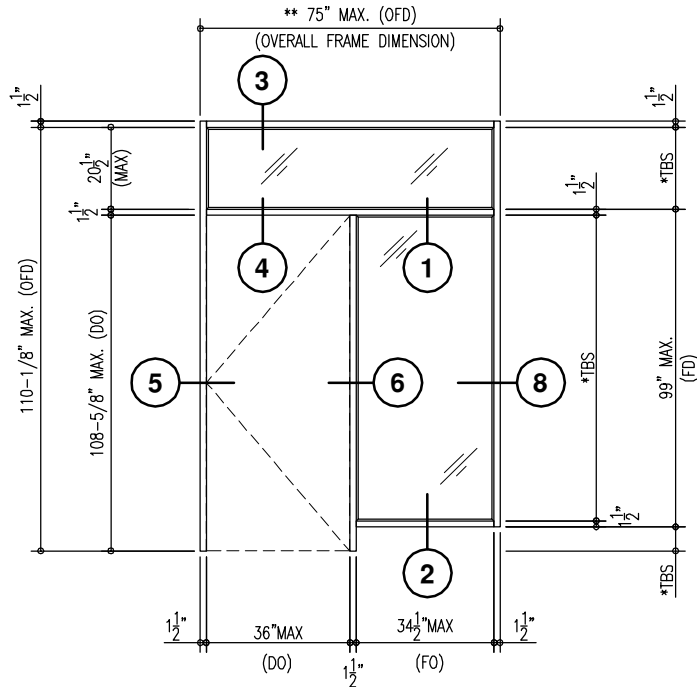
*TBS = DIMENSION TO BE SPECIFIED

Hardwood Series-45 Minute

WINDOW FRAMING	MAX. EXPOSED	MAX. EXPOSED	**MAX. WIDTH OF	**MAX. HEIGHT OF
RATING	GLASS TYPE	GLASS AREA PER SIDELITE	FRAME OPENING	FRAME OPENING
45 MINUTES	*FIRELITE	3260 SQ. INCHES	36"	96"
45 MINUTES	FIRELITE NT	3260 SQ. INCHES	36"	96"
45 MINUTES	FIRELITE PLUS	3260 SQ. INCHES	36"	96"
45 MINUTES	FIRELITE IGU	3260 SQ. INCHES	36"	96"
45 MINUTES	PYROSTOP (19mm)	3260 SQ. INCHES	36"	96"
DOOR FRAMING	MAX. SINGLE			
RATING	DOOR LEAF SIZE			
45 MINUTES	36" X 108"			

* FOR NON-SAFETY RATED APPLICATIONS ONLY

** EXPOSED GLASS WIDTH AND HEIGHT WILL BE 1-1/2" LESS THAN WINDOW OPENING AFTER STOPS ARE APPLIED



SINGLE DOOR FRAME WITH SIDELITE
(TYPE G)

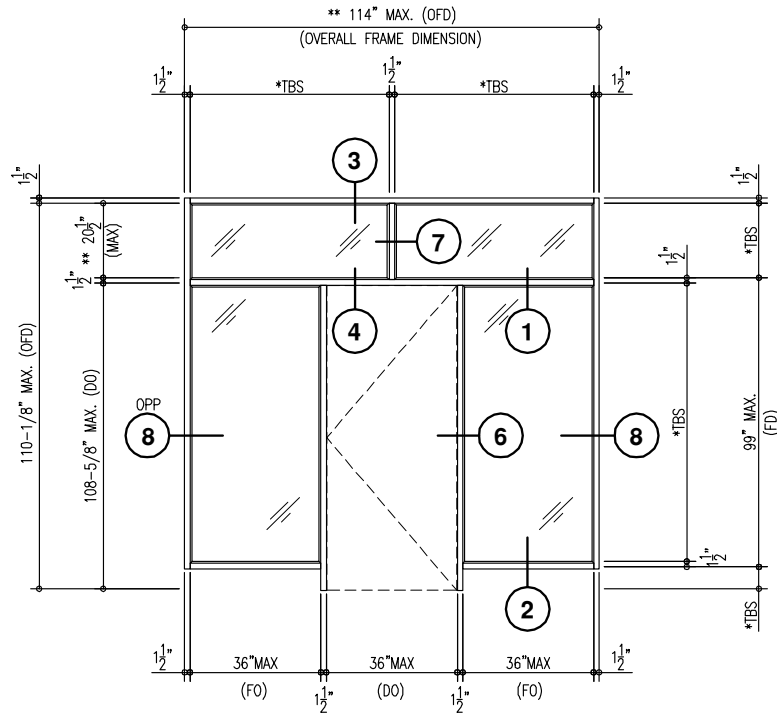
*TBS = DIMENSION TO BE SPECIFIED
** MAX. TRANSOM OPENING 72" (W) X 20-1/2" (H)

Hardwood Series-45 Minute

WINDOW FRAMING	MAX. EXPOSED	MAX. EXPOSED	**MAX. WIDTH OF	**MAX. HEIGHT OF
RATING	GLASS TYPE	GLASS AREA PER SIDELITE	FRAME OPENING	FRAME OPENING
45 MINUTES	*FIRELITE	3260 SQ. INCHES	34-1/2"	96"
45 MINUTES	FIRELITE NT	3260 SQ. INCHES	34-1/2"	96"
45 MINUTES	FIRELITE PLUS	3260 SQ. INCHES	34-1/2"	96"
45 MINUTES	FIRELITE IGU	3260 SQ. INCHES	34-1/2"	96"
45 MINUTES	PYROSTOP (19mm)	3260 SQ. INCHES	34-1/2"	96"
DOOR FRAMING	MAX. SINGLE			
RATING	DOOR LEAF SIZE			
45 MINUTES	36" X 108"			

* FOR USE IN NON-SAFETY RATED APPLICATIONS ONLY

** EXPOSED GLASS WIDTH AND HEIGHT WILL BE 1-1/2" LESS THAN WINDOW OPENING AFTER STOPS ARE APPLIED



SINGLE DOOR FRAME WITH SIDELITE
(TYPE I)

*TBS = DIMENSION TO BE SPECIFIED

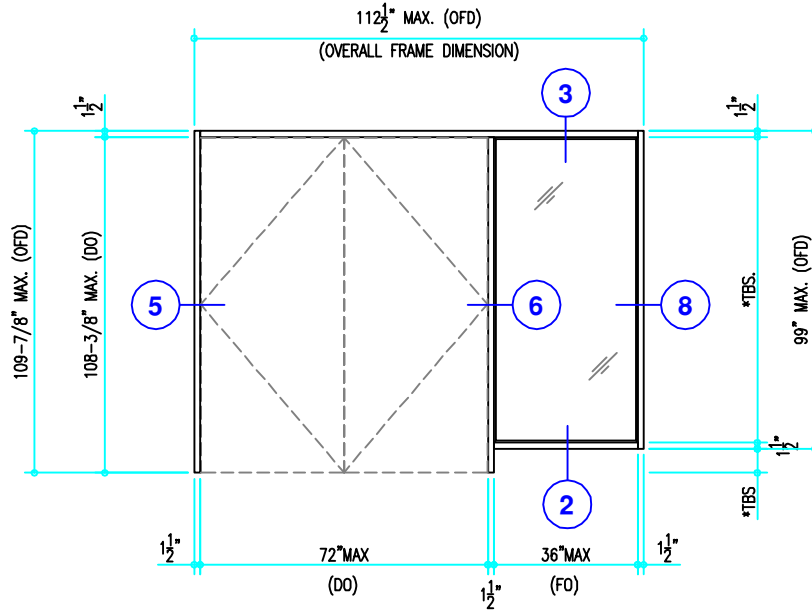
** MAX. TRANSOM OPENING 72" (W) X 20-1/2" (H)

Hardwood Series-45 Minute

WINDOW FRAMING	MAX. EXPOSED	MAX. EXPOSED	**MAX. WIDTH OF	**MAX. HEIGHT OF
RATING	GLASS TYPE	GLASS AREA PER SIDELITE	FRAME OPENING	FRAME OPENING
45 MINUTES	*FIRELITE	3260 SQ. INCHES	36"	96"
45 MINUTES	FIRELITE NT	3260 SQ. INCHES	36"	96"
45 MINUTES	FIRELITE PLUS	3260 SQ. INCHES	36"	96"
45 MINUTES	FIRELITE IGU	3260 SQ. INCHES	36"	96"
45 MINUTES	PYROSTOP (19mm)	3260 SQ. INCHES	36"	96"
DOOR FRAMING	MAX. SINGLE			
RATING	DOOR LEAF SIZE			
45 MINUTES	36" X 108"			

* FOR NON-SAFETY RATED APPLICATIONS ONLY

** EXPOSED GLASS WIDTH AND HEIGHT WILL BE 1-1/2" LESS THAN WINDOW OPENING AFTER STOPS ARE APPLIED



SINGLE DOOR FRAME WITH SIDELITE
(TYPE J)

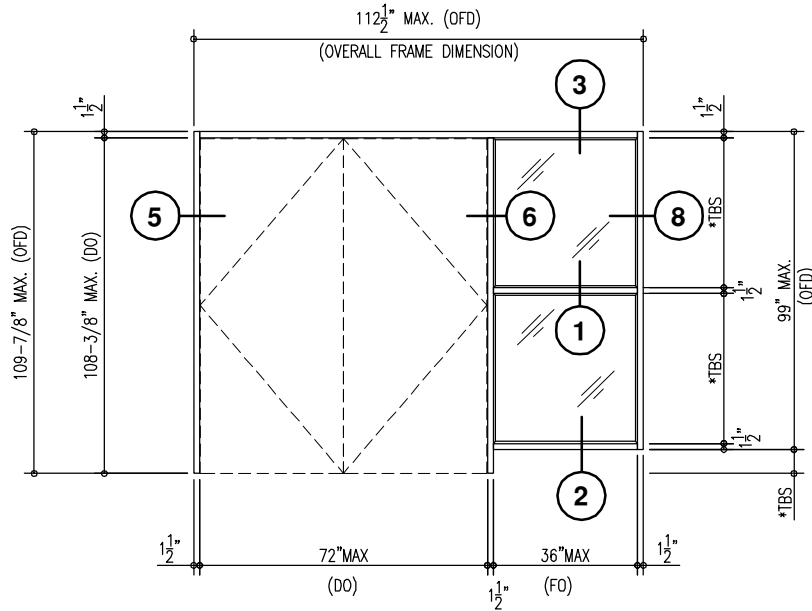
*TBS = DIMENSION TO BE SPECIFIED

Hardwood Series-45 Minute

<u>WINDOW FRAMING</u>	<u>MAX. EXPOSED</u>	<u>MAX. EXPOSED</u>	<u>**MAX. WIDTH OF</u>	<u>**MAX. HEIGHT OF</u>
<u>RATING</u>	<u>GLASS TYPE</u>	<u>GLASS AREA PER SIDELITE</u>	<u>FRAME OPENING</u>	<u>FRAME OPENING</u>
45 MINUTES	*FIRELITE	3260 SQ. INCHES	36"	96"
45 MINUTES	FIRELITE NT	3260 SQ. INCHES	36"	96"
45 MINUTES	FIRELITE PLUS	3260 SQ. INCHES	36"	96"
45 MINUTES	FIRELITE IGU	3260 SQ. INCHES	36"	96"
45 MINUTES	PYROSTOP (19mm)	3260 SQ. INCHES	36"	96"
DOOR FRAMING				
<u>RATING</u>	<u>MAX.</u>			
45 MINUTES	<u>DOOR PAIR SIZE</u>			
	72" X 108"			

* FOR NON-SAFETY RATED APPLICATIONS ONLY

** EXPOSED GLASS WIDTH AND HEIGHT WILL BE 1-1/2" LESS THAN WINDOW OPENING AFTER STOPS ARE APPLIED



DOUBLE DOOR FRAME WITH SIDELITE
(TYPE K)

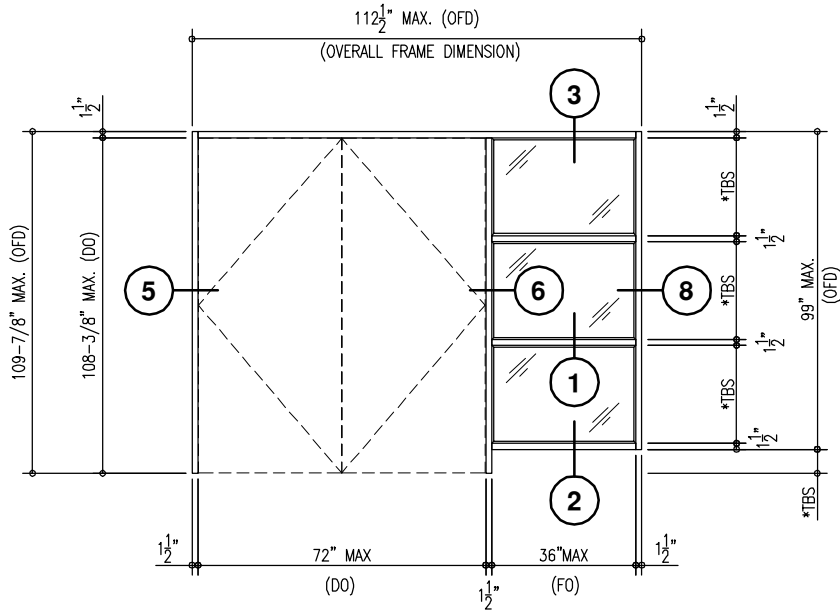
*TBS = DIMENSION TO BE SPECIFIED

Hardwood Series-45 Minute

WINDOW FRAMING	MAX. EXPOSED	MAX. EXPOSED	**MAX. WIDTH OF	**MAX. HEIGHT OF
<u>RATING</u>	<u>GLASS TYPE</u>	<u>GLASS AREA PER SIDELITE</u>	<u>FRAME OPENING</u>	<u>FRAME OPENING</u>
45 MINUTES	*FIRELITE	3260 SQ. INCHES	36"	96"
45 MINUTES	FIRELITE NT	3260 SQ. INCHES	36"	96"
45 MINUTES	FIRELITE PLUS	3260 SQ. INCHES	36"	96"
45 MINUTES	FIRELITE IGU	3260 SQ. INCHES	36"	96"
45 MINUTES	PYROSTOP (19mm)	3260 SQ. INCHES	36"	96"
DOOR FRAMING		MAX.		
<u>RATING</u>	<u>DOOR PAIR SIZE</u>			
45 MINUTES	72" X 108"			

* FOR NON-SAFETY RATED APPLICATIONS ONLY

** EXPOSED GLASS WIDTH AND HEIGHT WILL BE 1-1/2" LESS THAN WINDOW OPENING AFTER STOPS ARE APPLIED



DOUBLE DOOR FRAME WITH SIDELITE
(TYPE L)

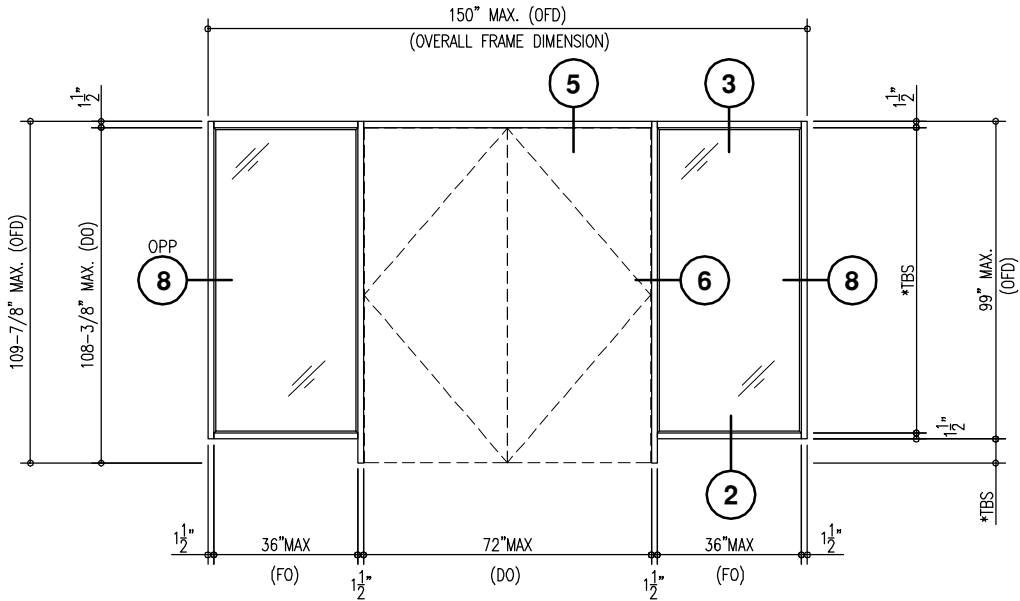
*TBS = DIMENSION TO BE SPECIFIED

Hardwood Series-45 Minute

WINDOW FRAMING	MAX. EXPOSED	MAX. EXPOSED	**MAX. WIDTH OF	**MAX. HEIGHT OF
RATING	GLASS TYPE	GLASS AREA PER SIDELITE	FRAME OPENING	FRAME OPENING
45 MINUTES	*FIRELITE	3260 SQ. INCHES	36"	96"
45 MINUTES	FIRELITE NT	3260 SQ. INCHES	36"	96"
45 MINUTES	FIRELITE PLUS	3260 SQ. INCHES	36"	96"
45 MINUTES	FIRELITE IGU	3260 SQ. INCHES	36"	96"
45 MINUTES	PYROSTOP (19mm)	3260 SQ. INCHES	36"	96"
DOOR FRAMING		MAX.		
RATING	DOOR PAIR SIZE			
45 MINUTES	72" X 108"			

* FOR USE IN NON-SAFETY RATED APPLICATIONS ONLY

** EXPOSED GLASS WIDTH AND HEIGHT WILL BE 1-1/2" LESS THAN WINDOW OPENING AFTER STOPS ARE APPLIED



DOUBLE DOOR FRAME WITH SIDELITES
(TYPE M)

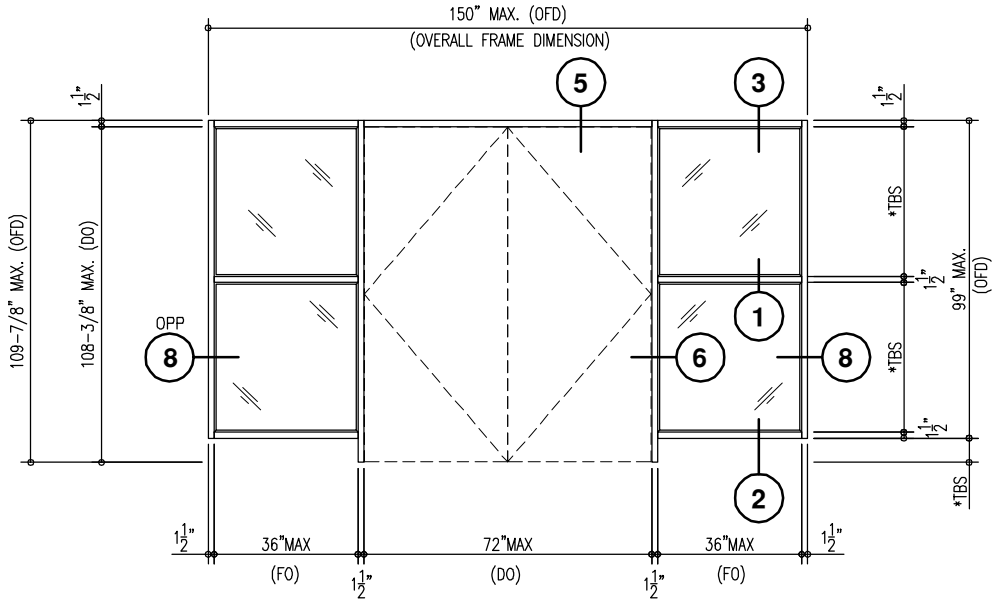
*TBS = DIMENSION TO BE SPECIFIED

Hardwood Series-45 Minute

WINDOW FRAMING	MAX. EXPOSED	MAX. EXPOSED	**MAX. WIDTH OF	**MAX. HEIGHT OF
RATING	GLASS TYPE	GLASS AREA PER SIDELITE	FRAME OPENING	FRAME OPENING
45 MINUTES	*FIRELITE	3260 SQ. INCHES	36"	96"
45 MINUTES	FIRELITE NT	3260 SQ. INCHES	36"	96"
45 MINUTES	FIRELITE PLUS	3260 SQ. INCHES	36"	96"
45 MINUTES	FIRELITE IGU	3260 SQ. INCHES	36"	96"
45 MINUTES	PYROSTOP (19mm)	3260 SQ. INCHES	36"	96"
DOOR FRAMING	MAX.			
RATING	DOOR PAIR SIZE			
45 MINUTES	72" X 108"			

* FOR NON-SAFETY RATED APPLICATIONS ONLY

** EXPOSED GLASS WIDTH AND HEIGHT WILL BE 1-1/2" LESS THAN WINDOW OPENING AFTER STOPS ARE APPLIED



DOUBLE DOOR FRAME WITH SIDELITES
(TYPE N)

*TBS = DIMENSION TO BE SPECIFIED

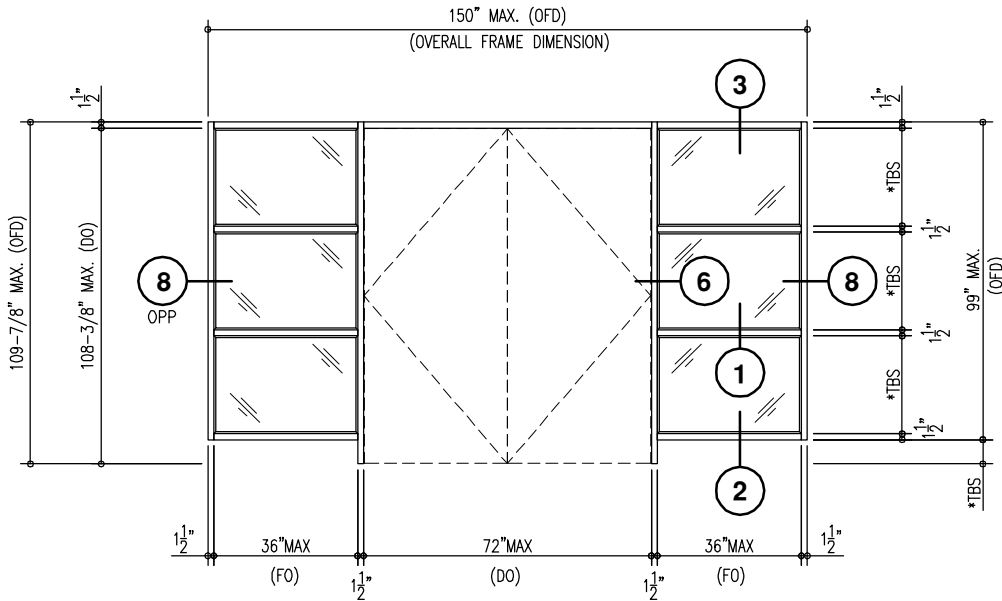
Hardwood Series-45 Minute

WINDOW FRAMING	MAX. EXPOSED	MAX. EXPOSED	**MAX. WIDTH OF	**MAX. HEIGHT OF
<u>RATING</u>	<u>GLASS TYPE</u>	<u>GLASS AREA PER SIDELITE</u>	<u>FRAME OPENING</u>	<u>FRAME OPENING</u>
45 MINUTES	*FIRELITE	3260 SQ. INCHES	36"	96"
45 MINUTES	FIRELITE NT	3260 SQ. INCHES	36"	96"
45 MINUTES	FIRELITE PLUS	3260 SQ. INCHES	36"	96"
45 MINUTES	FIRELITE IGU	3260 SQ. INCHES	36"	96"
45 MINUTES	PYROSTOP (19mm)	3260 SQ. INCHES	36"	96"

DOOR FRAMING	MAX.
<u>RATING</u>	<u>DOOR PAIR SIZE</u>
45 MINUTES	72" X 108"

* FOR NON-SAFETY RATED APPLICATIONS ONLY

** EXPOSED GLASS WIDTH AND HEIGHT WILL BE 1-1/2" LESS THAN WINDOW OPENING AFTER STOPS ARE APPLIED



DOUBLE DOOR FRAME WITH SIDELITES
(TYPE O)

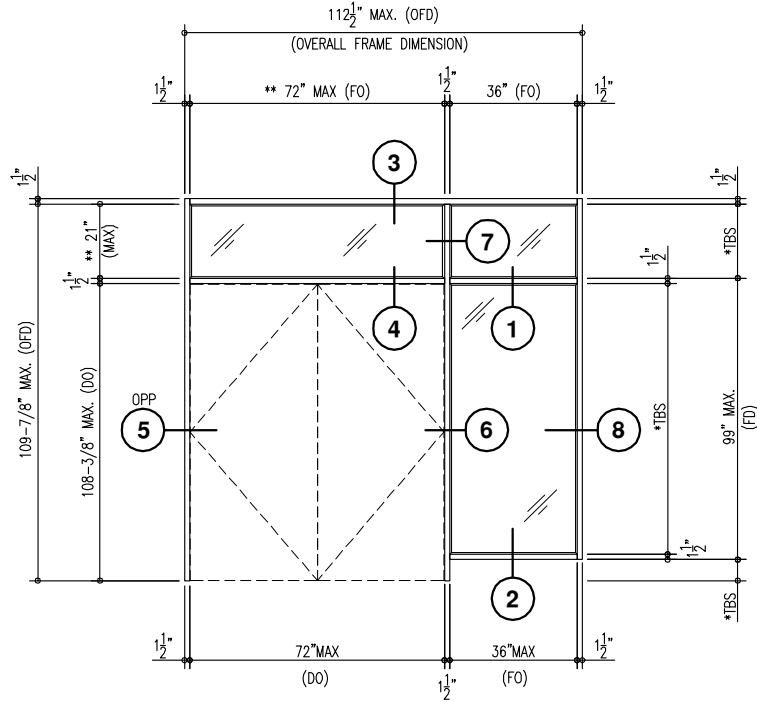
*TBS = DIMENSION TO BE SPECIFIED

Hardwood Series-45 Minute

WINDOW FRAMING	MAX. EXPOSED	MAX. EXPOSED	**MAX. WIDTH OF	**MAX. HEIGHT OF
RATING	GLASS TYPE	GLASS AREA PER SIDELITE	FRAME OPENING	FRAME OPENING
45 MINUTES	*FIRELITE	3260 SQ. INCHES	36"	96"
45 MINUTES	FIRELITE NT	3260 SQ. INCHES	36"	96"
45 MINUTES	FIRELITE PLUS	3260 SQ. INCHES	36"	96"
45 MINUTES	FIRELITE IGU	3260 SQ. INCHES	36"	96"
45 MINUTES	PYROSTOP (19mm)	3260 SQ. INCHES	36"	96"
DOOR FRAMING		MAX.		
RATING	DOOR PAIR SIZE			
45 MINUTES	72" X 108"			

* FOR NON-SAFETY RATED APPLICATIONS ONLY

** EXPOSED GLASS WIDTH AND HEIGHT WILL BE 1-1/2" LESS THAN WINDOW OPENING AFTER STOPS ARE APPLIED



DOUBLE DOOR FRAME WITH SIDELITES
(TYPE P)

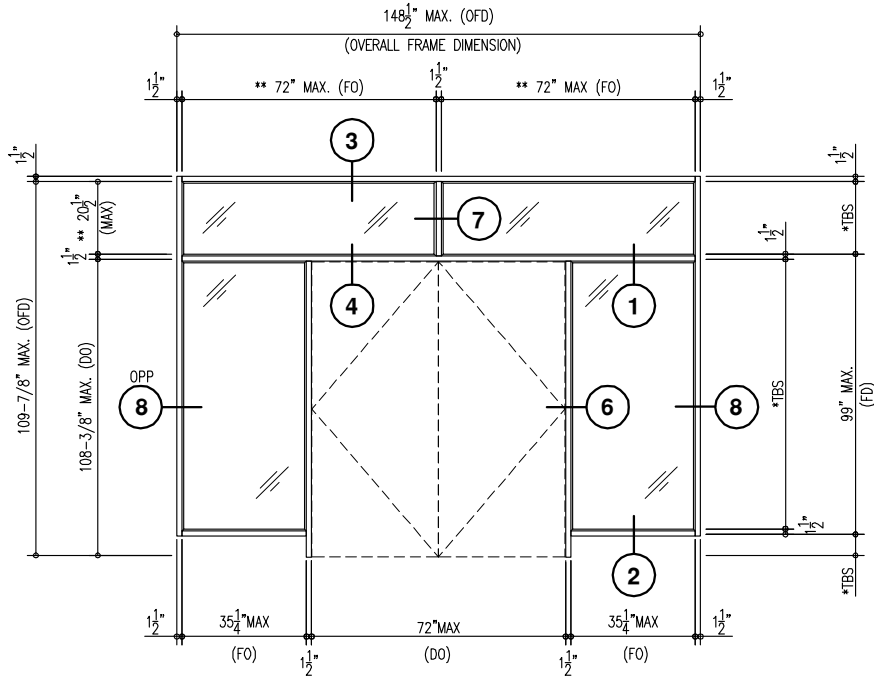
*TBS = DIMENSION TO BE SPECIFIED
** MAX. TRANSM OPENING 72" (W) X 20-1/2" (H)

Hardwood Series-45 Minute

WINDOW FRAMING	MAX. EXPOSED	MAX. EXPOSED	**MAX. WIDTH OF	**MAX. HEIGHT OF
RATING	GLASS TYPE	GLASS AREA PER PIECE	FRAME OPENING	FRAME OPENING
45 MINUTES	*FIRELITE	3260 SQ. INCHES	36"	96"
45 MINUTES	FIRELITE NT	3260 SQ. INCHES	36"	96"
45 MINUTES	FIRELITE PLUS	3260 SQ. INCHES	36"	96"
45 MINUTES	FIRELITE IGU	3260 SQ. INCHES	36"	96"
45 MINUTES	PYROSTOP (19mm)	3260 SQ. INCHES	36"	96"
DOOR FRAMING	MAX.			
RATING	DOOR PAIR SIZE			
45 MINUTES	72" X 108"			

* FOR NON-SAFETY RATED APPLICATIONS ONLY

** EXPOSED GLASS WIDTH AND HEIGHT WILL BE 1-1/2" LESS THAN WINDOW OPENING AFTER STOPS ARE APPLIED



DOUBLE DOOR FRAME WITH SIDELITES
(TYPE Q)

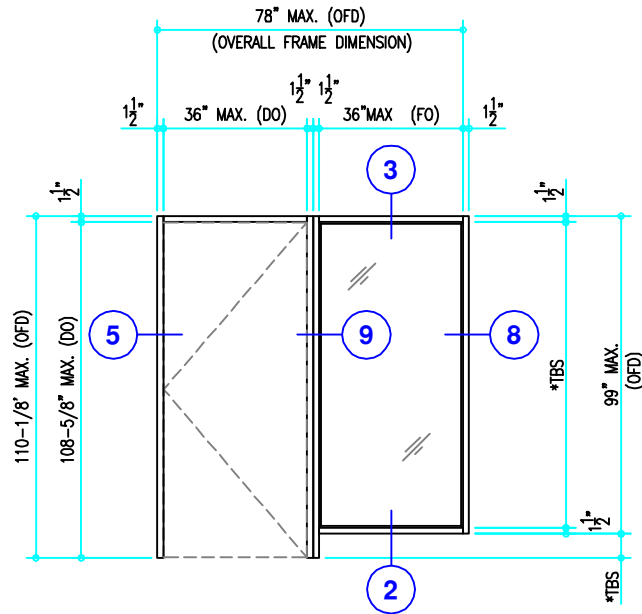
*TBS = DIMENSION TO BE SPECIFIED
** MAX. TRANSOM OPENING 72" (W) X 20-1/2" (H)

Hardwood Series-45 Minute

WINDOW FRAMING	MAX. EXPOSED	MAX. EXPOSED	**MAX. WIDTH OF	**MAX. HEIGHT OF
RATING	GLASS TYPE	GLASS AREA PER SIDELITE	FRAME OPENING	FRAME OPENING
45 MINUTES	*FIRELITE	3260 SQ. INCHES	36"	96"
45 MINUTES	FIRELITE NT	3260 SQ. INCHES	36"	96"
45 MINUTES	FIRELITE PLUS	3260 SQ. INCHES	36"	96"
45 MINUTES	FIRELITE IGU	3260 SQ. INCHES	36"	96"
45 MINUTES	PYROSTOP (19mm)	3260 SQ. INCHES	36"	96"
45 MINUTE TRANSOM	ANY OF ABOVE LISTED	1339 SQ. INCHES	72"	20-1/2"

DOOR FRAMING	MAX.
RATING	DOOR PAIR SIZE
45 MINUTES	72" X 108"

* FOR NON-SAFETY RATED APPLICATIONS ONLY
** EXPOSED GLASS WIDTH AND HEIGHT WILL BE 1-1/2" LESS THAN WINDOW OPENING AFTER STOPS ARE APPLIED



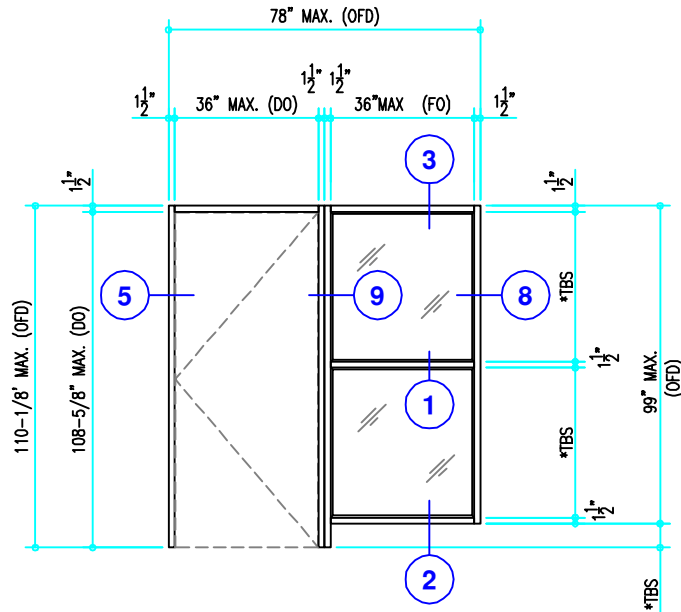
DOOR FRAME WITH SIDELITE
(TYPE AA, SEPERATE FRAMES)

*TBS = DIMENSION TO BE SPECIFIED

Hardwood Series-45 Minute

WINDOW FRAMING	MAX. EXPOSED	MAX. EXPOSED	**MAX. WIDTH OF	**MAX. HEIGHT OF
<u>RATING</u>	<u>GLASS TYPE</u>	<u>GLASS AREA PER SIDELITE</u>	<u>FRAME OPENING</u>	<u>FRAME OPENING</u>
45 MINUTES	*FIRELITE	3260 SQ. INCHES	36"	96"
45 MINUTES	FIRELITE NT	3260 SQ. INCHES	36"	96"
45 MINUTES	FIRELITE PLUS	3260 SQ. INCHES	36"	96"
45 MINUTES	FIRELITE IGU	3260 SQ. INCHES	36"	96"
45 MINUTES	PYROSTOP (19mm)	3260 SQ. INCHES	36"	96"
DOOR FRAMING	MAX. SINGLE			
<u>RATING</u>	<u>DOOR LEAF SIZE</u>			
45 MINUTES	36" X 108"			

** EXPOSED GLASS WIDTH AND HEIGHT WILL BE 1-1/2" LESS THAN WINDOW OPENING AFTER STOPS ARE APPLIED



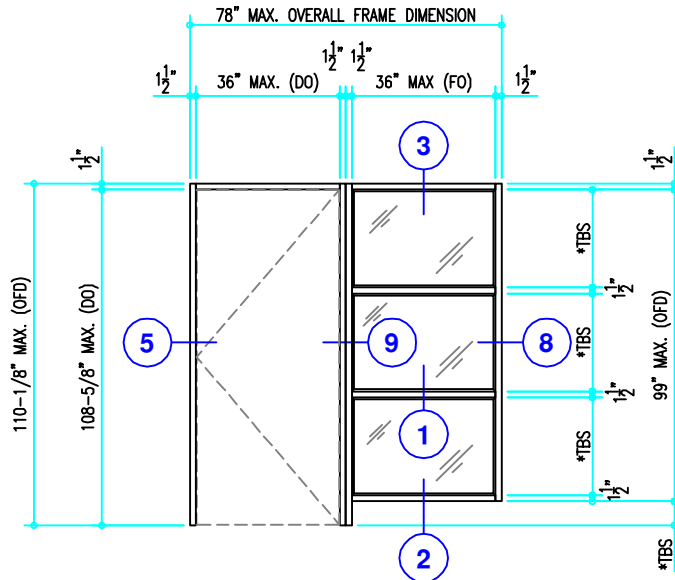
SINGLE DOOR FRAME WITH SIDELITE
(TYPE BB, SEPERATE FRAMES)

*TBS = DIMENSION TO BE SPECIFIED

Hardwood Series-45 Minute

<u>WINDOW FRAMING</u>	<u>MAX. EXPOSED</u>	<u>MAX. EXPOSED</u>	<u>**MAX. WIDTH OF</u>	<u>**MAX. HEIGHT OF</u>
<u>RATING</u>	<u>GLASS TYPE</u>	<u>GLASS AREA PER SIDELITE</u>	<u>FRAME OPENING</u>	<u>FRAME OPENING</u>
45 MINUTES	*FIRELITE	3260 SQ. INCHES	36"	96"
45 MINUTES	FIRELITE NT	3260 SQ. INCHES	36"	96"
45 MINUTES	FIRELITE PLUS	3260 SQ. INCHES	36"	96"
45 MINUTES	FIRELITE IGU	3260 SQ. INCHES	36"	96"
45 MINUTES	PYROSTOP (19mm)	3260 SQ. INCHES	36"	96"
<u>DOOR FRAMING</u>	<u>MAX. SINGLE</u>			
<u>RATING</u>	<u>DOOR LEAF SIZE</u>			
45 MINUTES	36" X 108"			

** EXPOSED GLASS WIDTH AND HEIGHT WILL BE 1-1/2" LESS THAN WINDOW OPENING AFTER STOPS ARE APPLIED



SINGLE DOOR FRAME WITH SIDE LITE
(TYPE CC, SEPERATE FRAMES)

*TBS = DIMENSION TO BE SPECIFIED

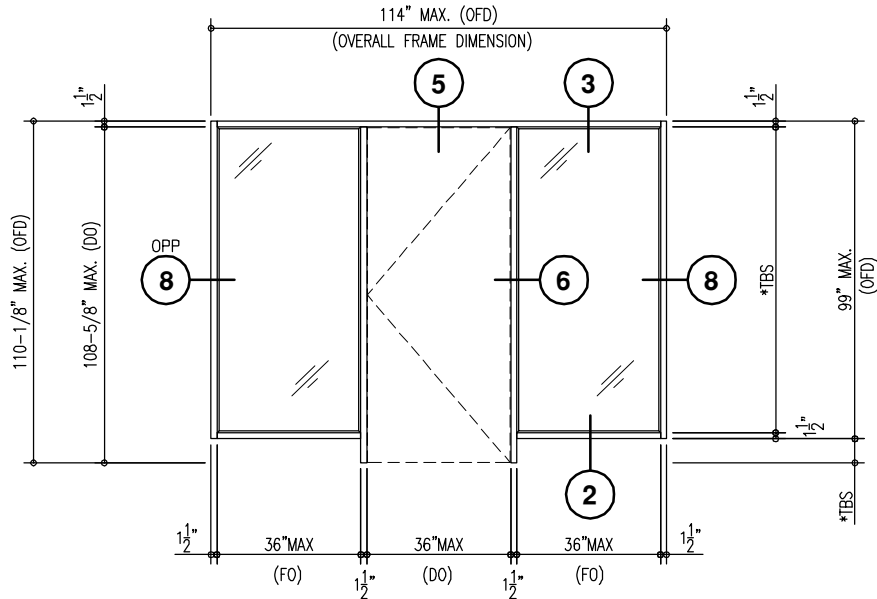
Hardwood Series-45 Minute

<u>WINDOW FRAMING</u>	<u>MAX. EXPOSED</u>	<u>MAX. EXPOSED</u>	<u>**MAX. WIDTH OF</u>	<u>**MAX. HEIGHT OF</u>
<u>RATING</u>	<u>GLASS TYPE</u>	<u>GLASS AREA PER SIDELITE</u>	<u>FRAME OPENING</u>	<u>FRAME OPENING</u>
45 MINUTES	*FIRELITE	3260 SQ. INCHES	36"	96"
45 MINUTES	FIRELITE NT	3260 SQ. INCHES	36"	96"
45 MINUTES	FIRELITE PLUS	3260 SQ. INCHES	36"	96"
45 MINUTES	FIRELITE IGU	3260 SQ. INCHES	36"	96"
45 MINUTES	PYROSTOP (19mm)	3260 SQ. INCHES	36"	96"

<u>DOOR FRAMING</u>	<u>MAX. SINGLE</u>
<u>RATING</u>	<u>DOOR LEAF SIZE</u>
45 MINUTES	36" X 108"

* FOR NON-SAFETY RATED APPLICATIONS ONLY

** EXPOSED GLASS WIDTH AND HEIGHT WILL BE 1-1/2" LESS THAN WINDOW OPENING AFTER STOPS ARE APPLIED



SINGLE DOOR FRAME WITH SIDELITES
(TYPE DD)

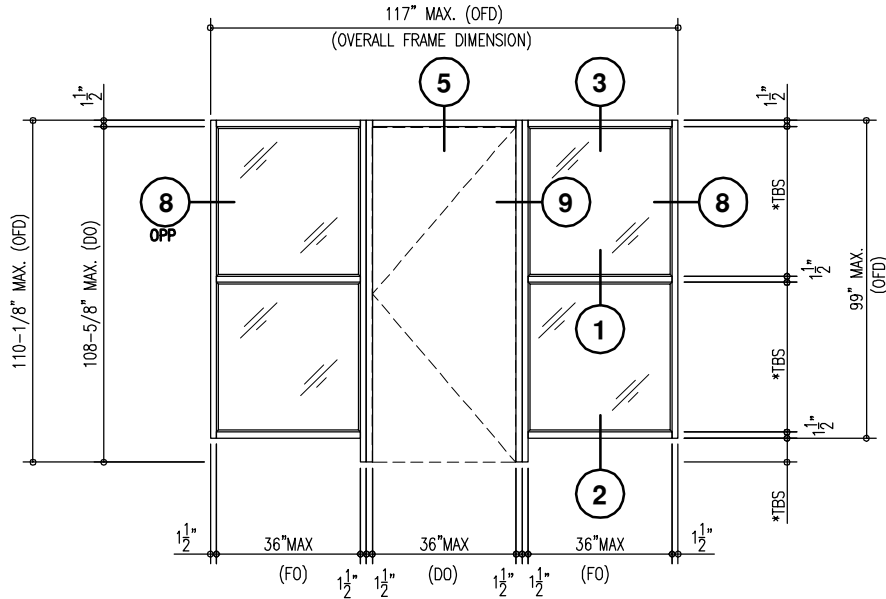
*TBS = DIMENSION TO BE SPECIFIED

Hardwood Series-45 Minute

WINDOW FRAMING	MAX. EXPOSED	MAX. EXPOSED	**MAX. WIDTH OF	**MAX. HEIGHT OF
RATING	GLASS TYPE	GLASS AREA PER SIDELITE	FRAME OPENING	FRAME OPENING
45 MINUTES	*FIRELITE	3260 SQ. INCHES	36"	96"
45 MINUTES	FIRELITE NT	3260 SQ. INCHES	36"	96"
45 MINUTES	FIRELITE PLUS	3260 SQ. INCHES	36"	96"
45 MINUTES	FIRELITE IGU	3260 SQ. INCHES	36"	96"
45 MINUTES	PYROSTOP (19mm)	3260 SQ. INCHES	36"	96"
DOOR FRAMING	MAX. SINGLE			
RATING	DOOR LEAF SIZE			
45 MINUTES	36" X 108"			

* FOR NON-SAFETY RATED APPLICATIONS ONLY

** EXPOSED GLASS WIDTH AND HEIGHT WILL BE 1-1/2" LESS THAN WINDOW OPENING AFTER STOPS ARE APPLIED



SINGLE DOOR FRAME WITH SIDELITES
(TYPE EE, SEPERATE FRAMES)

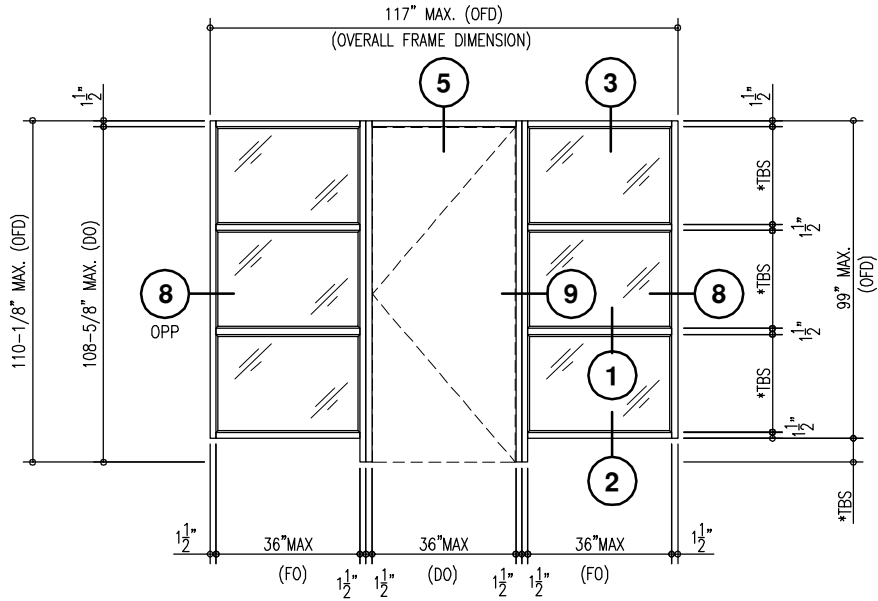
*TBS = DIMENSION TO BE SPECIFIED

Hardwood Series-45 Minute

WINDOW FRAMING	MAX. EXPOSED	MAX. EXPOSED	**MAX. WIDTH OF	**MAX. HEIGHT OF
RATING	GLASS TYPE	GLASS AREA PER SIDELITE	FRAME OPENING	FRAME OPENING
45 MINUTES	*FIRELITE	3260 SQ. INCHES	36"	96"
45 MINUTES	FIRELITE NT	3260 SQ. INCHES	36"	96"
45 MINUTES	FIRELITE PLUS	3260 SQ. INCHES	36"	96"
45 MINUTES	FIRELITE IGU	3260 SQ. INCHES	36"	96"
45 MINUTES	PYROSTOP (19mm)	3260 SQ. INCHES	36"	96"
DOOR FRAMING	MAX. SINGLE			
RATING	DOOR LEAF SIZE			
45 MINUTES	36" X 108"			

* FOR NON-SAFETY RATED APPLICATIONS ONLY

** EXPOSED GLASS WIDTH AND HEIGHT WILL BE 1-1/2" LESS THAN WINDOW OPENING AFTER STOPS ARE APPLIED



SINGLE DOOR FRAME WITH SIDELITES
(TYPE FF, SEPERATE FRAMES)

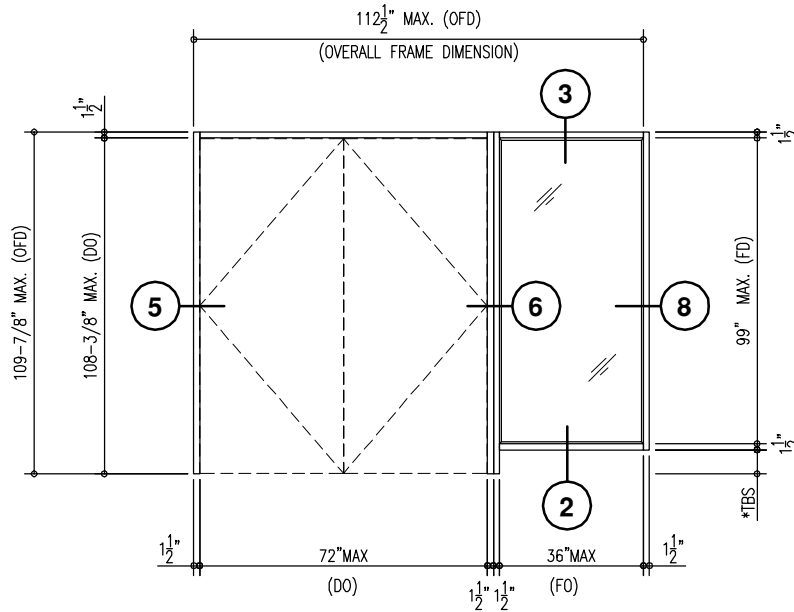
*TBS = DIMENSION TO BE SPECIFIED

Hardwood Series-45 Minute

WINDOW FRAMING	MAX. EXPOSED	MAX. EXPOSED	**MAX. WIDTH OF	**MAX. HEIGHT OF
RATING	GLASS TYPE	GLASS AREA PER SIDELITE	FRAME OPENING	FRAME OPENING
45 MINUTES	*FIRELITE	3260 SQ. INCHES	36"	96"
45 MINUTES	FIRELITE NT	3260 SQ. INCHES	36"	96"
45 MINUTES	FIRELITE PLUS	3260 SQ. INCHES	36"	96"
45 MINUTES	FIRELITE IGU	3260 SQ. INCHES	36"	96"
45 MINUTES	PYROSTOP (19mm)	3260 SQ. INCHES	36"	96"
DOOR FRAMING	MAX. SINGLE			
RATING	DOOR LEAF SIZE			
45 MINUTES	36" X 108"			

* FOR NON-SAFETY RATED APPLICATIONS ONLY

** EXPOSED GLASS WIDTH AND HEIGHT WILL BE 1-1/2" LESS THAN WINDOW OPENING AFTER STOPS ARE APPLIED



DOUBLE DOOR FRAME WITH SIDELITE
(TYPE JJ)

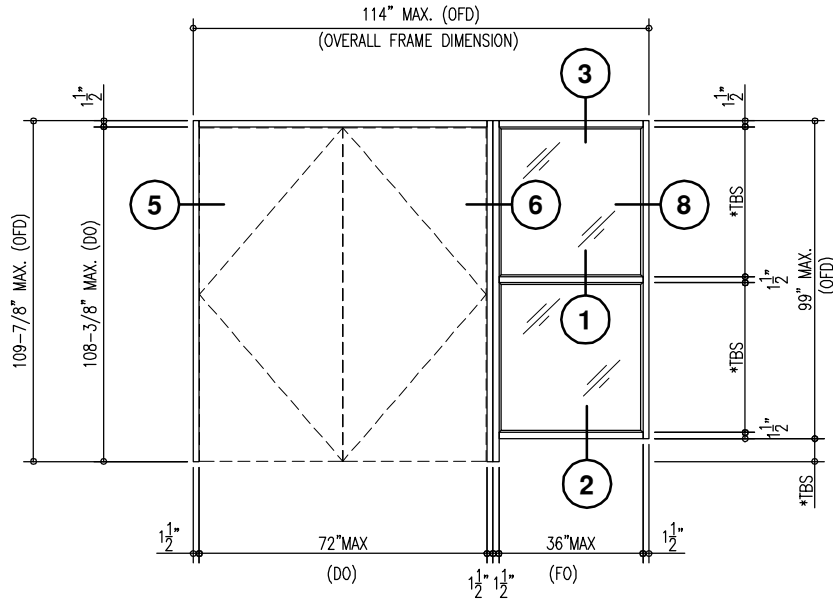
*TBS = DIMENSION TO BE SPECIFIED

Hardwood Series-45 Minute

WINDOW FRAMING	MAX. EXPOSED	MAX. EXPOSED	**MAX. WIDTH OF	**MAX. HEIGHT OF
RATING	GLASS TYPE	GLASS AREA PER SIDELIGHT	FRAME OPENING	FRAME OPENING
45 MINUTES	*FIRELITE	3260 SQ. INCHES	36"	96"
45 MINUTES	FIRELITE NT	3260 SQ. INCHES	36"	96"
45 MINUTES	FIRELITE PLUS	3260 SQ. INCHES	36"	96"
45 MINUTES	FIRELITE IGU	3260 SQ. INCHES	36"	96"
45 MINUTES	PYROSTOP (19mm)	3260 SQ. INCHES	36"	96"
DOOR FRAMING		MAX.		
RATING	DOOR PAIR SIZE			
45 MINUTES	72" X 108"			

* FOR NON-SAFETY RATED APPLICATIONS ONLY

** EXPOSED GLASS WIDTH AND HEIGHT WILL BE 1-1/2" LESS THAN WINDOW OPENING AFTER STOPS ARE APPLIED



DOUBLE DOOR FRAME WITH SIDELITE
(TYPE KK, SEPERATE FRAMES)

*TBS = DIMENSION TO BE SPECIFIED

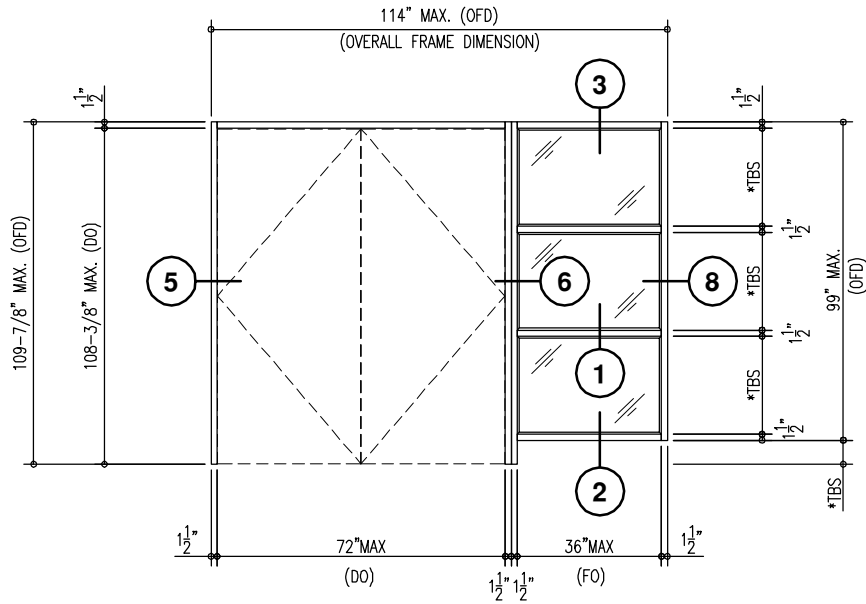
Hardwood Series-45 Minute

WINDOW FRAMING	MAX. EXPOSED	MAX. EXPOSED	**MAX. WIDTH OF	**MAX. HEIGHT OF
<u>RATING</u>	<u>GLASS TYPE</u>	<u>GLASS AREA PER SIDELITE</u>	<u>FRAME OPENING</u>	<u>FRAME OPENING</u>
45 MINUTES	*FIRELITE	3260 SQ. INCHES	36"	96"
45 MINUTES	FIRELITE NT	3260 SQ. INCHES	36"	96"
45 MINUTES	FIRELITE PLUS	3260 SQ. INCHES	36"	96"
45 MINUTES	FIRELITE IGU	3260 SQ. INCHES	36"	96"
45 MINUTES	PYROSTOP (19mm)	3260 SQ. INCHES	36"	96"

DOOR FRAMING	MAX. PAIR
<u>RATING</u>	<u>DOOR OPENING SIZE</u>
45 MINUTES	72" X 108"

* FOR NON-SAFETY RATED APPLICATIONS ONLY

** EXPOSED GLASS WIDTH AND HEIGHT WILL BE 1-1/2" LESS THAN WINDOW OPENING AFTER STOPS ARE APPLIED



DOUBLE DOOR FRAME WITH SIDELITE
(TYPE LL)

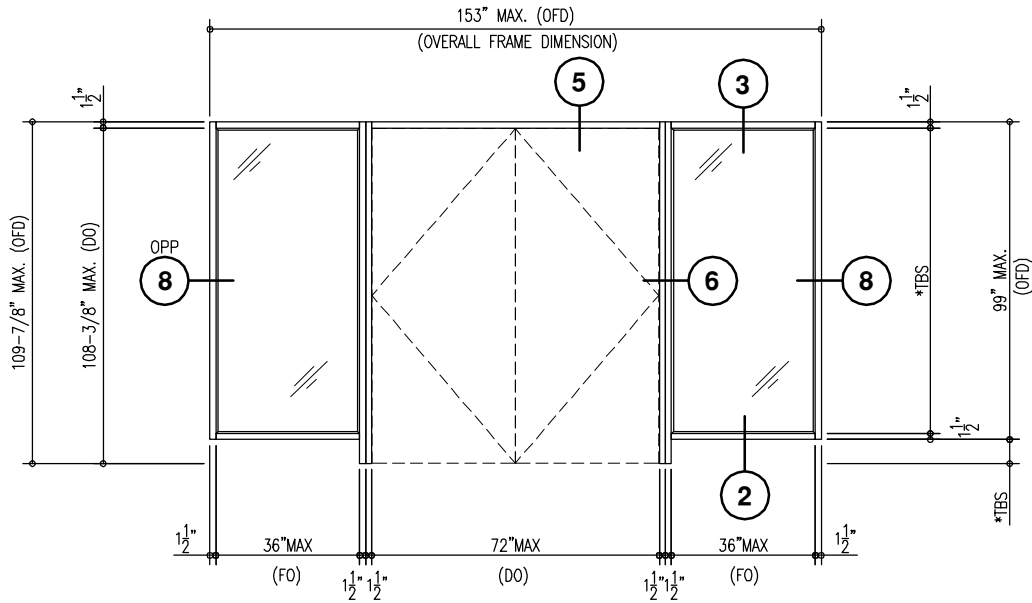
*TBS = DIMENSION TO BE SPECIFIED

Hardwood Series-45 Minute

WINDOW FRAMING	MAX. EXPOSED	MAX. EXPOSED	**MAX. WIDTH OF	**MAX. HEIGHT OF
RATING	GLASS TYPE	GLASS AREA PER SIDELITE	FRAME OPENING	FRAME OPENING
45 MINUTES	*FIRELITE	3260 SQ. INCHES	36"	96"
45 MINUTES	FIRELITE NT	3260 SQ. INCHES	36"	96"
45 MINUTES	FIRELITE PLUS	3260 SQ. INCHES	36"	96"
45 MINUTES	FIRELITE IGU	3260 SQ. INCHES	36"	96"
45 MINUTES	PYROSTOP (19mm)	3260 SQ. INCHES	36"	96"
DOOR FRAMING		MAX.		
RATING	DOOR PAIR SIZE			
45 MINUTES	72" X 108"			

* FOR NON-SAFETY RATED APPLICATIONS ONLY

** EXPOSED GLASS WIDTH AND HEIGHT WILL BE 1-1/2" LESS THAN WINDOW OPENING AFTER STOPS ARE APPLIED



DOUBLE DOOR FRAME WITH SIDELITES
(TYPE MM, SEPERATE FRAMES)

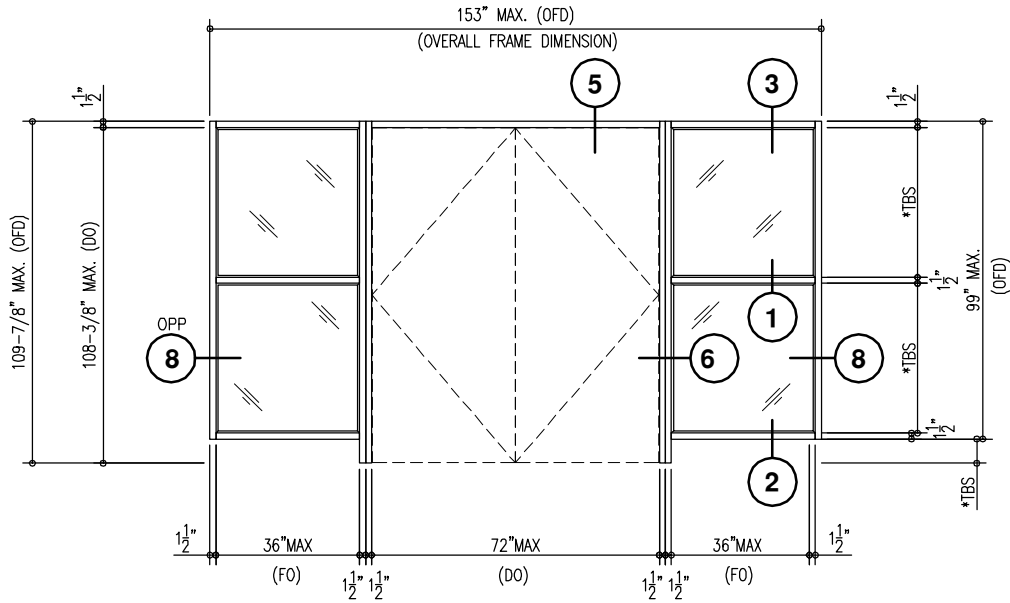
*TBS = DIMENSION TO BE SPECIFIED

Hardwood Series-45 Minute

WINDOW FRAMING	MAX. EXPOSED	MAX. EXPOSED	**MAX. WIDTH OF	**MAX. HEIGHT OF
RATING	GLASS TYPE	GLASS AREA PER SIDELITE	FRAME OPENING	FRAME OPENING
45 MINUTES	*FIRELITE	3260 SQ. INCHES	36"	96"
45 MINUTES	FIRELITE NT	3260 SQ. INCHES	36"	96"
45 MINUTES	FIRELITE PLUS	3260 SQ. INCHES	36"	96"
45 MINUTES	FIRELITE IGU	3260 SQ. INCHES	36"	96"
45 MINUTES	PYROSTOP (19mm)	3260 SQ. INCHES	36"	96"
DOOR FRAMING		MAX.		
RATING	DOOR PAIR SIZE			
45 MINUTES	72" X 108"			

* FOR NON-SAFETY RATED APPLICATIONS ONLY

** EXPOSED GLASS WIDTH AND HEIGHT WILL BE 1-1/2" LESS THAN WINDOW OPENING AFTER STOPS ARE APPLIED



DOUBLE DOOR FRAME WITH SIDELITES
(TYPE NN, SEPERATE FRAMES)

*TBS = DIMENSION TO BE SPECIFIED

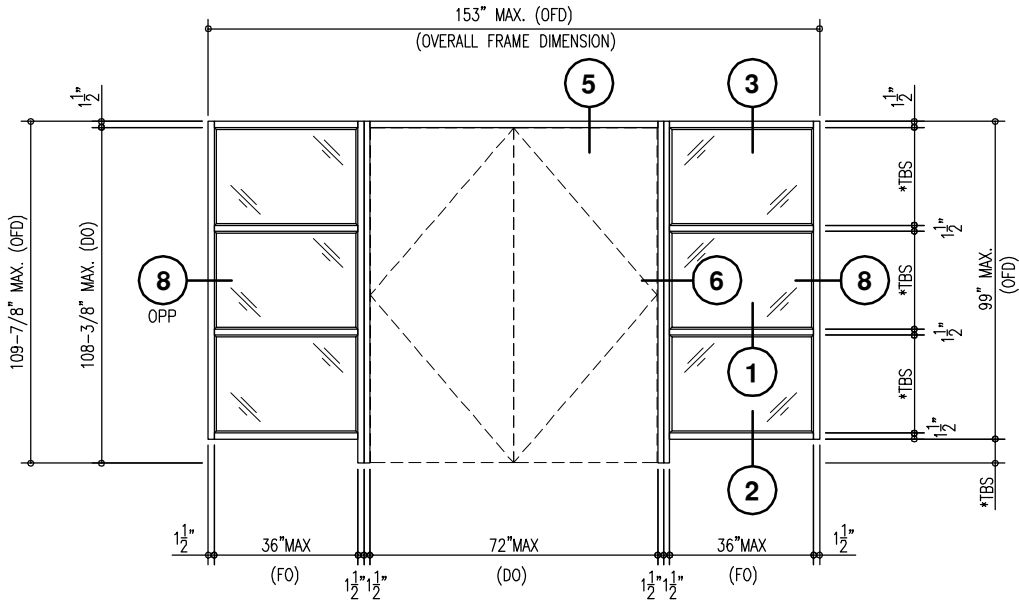
Hardwood Series-45 Minute

WINDOW FRAMING	MAX. EXPOSED	MAX. EXPOSED	**MAX. WIDTH OF	**MAX. HEIGHT OF
RATING	GLASS TYPE	GLASS AREA PER SIDELITE	FRAME OPENING	FRAME OPENING
45 MINUTES	*FIRELITE	3260 SQ. INCHES	36"	96"
45 MINUTES	FIRELITE NT	3260 SQ. INCHES	36"	96"
45 MINUTES	FIRELITE PLUS	3260 SQ. INCHES	36"	96"
45 MINUTES	FIRELITE IGU	3260 SQ. INCHES	36"	96"
45 MINUTES	PYROSTOP (19mm)	3260 SQ. INCHES	36"	96"

DOOR FRAMING	MAX.
RATING	DOOR PAIR SIZE
45 MINUTES	72" X 108"

* FOR NON-SAFETY RATED APPLICATIONS ONLY

** EXPOSED GLASS WIDTH AND HEIGHT WILL BE 1-1/2" LESS THAN WINDOW OPENING AFTER STOPS ARE APPLIED



DOUBLE DOOR FRAME WITH SIDELITES
(TYPE OO, SEPERATE FRAMES)

*TBS = DIMENSION TO BE SPECIFIED

Hardwood Series-45 Minute

<u>WINDOW FRAMING</u>	<u>MAX. EXPOSED</u>	<u>MAX. EXPOSED</u>	<u>**MAX. WIDTH OF</u>	<u>**MAX. HEIGHT OF</u>
<u>RATING</u>	<u>GLASS TYPE</u>	<u>GLASS AREA PER SIDELITE</u>	<u>FRAME OPENING</u>	<u>FRAME OPENING</u>
45 MINUTES	*FIRELITE	3260 SQ. INCHES	36"	96"
45 MINUTES	FIRELITE NT	3260 SQ. INCHES	36"	96"
45 MINUTES	FIRELITE PLUS	3260 SQ. INCHES	36"	96"
45 MINUTES	FIRELITE IGU	3260 SQ. INCHES	36"	96"
45 MINUTES	PYROSTOP (19mm)	3260 SQ. INCHES	36"	96"

<u>DOOR FRAMING</u>	<u>MAX.</u>
<u>RATING</u>	<u>DOOR PAIR SIZE</u>
45 MINUTES	72" X 108"

* FOR NON-SAFETY RATED APPLICATIONS ONLY

** EXPOSED GLASS WIDTH AND HEIGHT WILL BE 1-1/2" LESS THAN WINDOW OPENING AFTER STOPS ARE APPLIED