

Technical Glass Products Architectural Specification Manual

① FIRELITE® GLAZING: 3/16" (5mm)
*NOTE: ALSO INCLUDES FIRELITE® PLUS & FIRELITE® NT

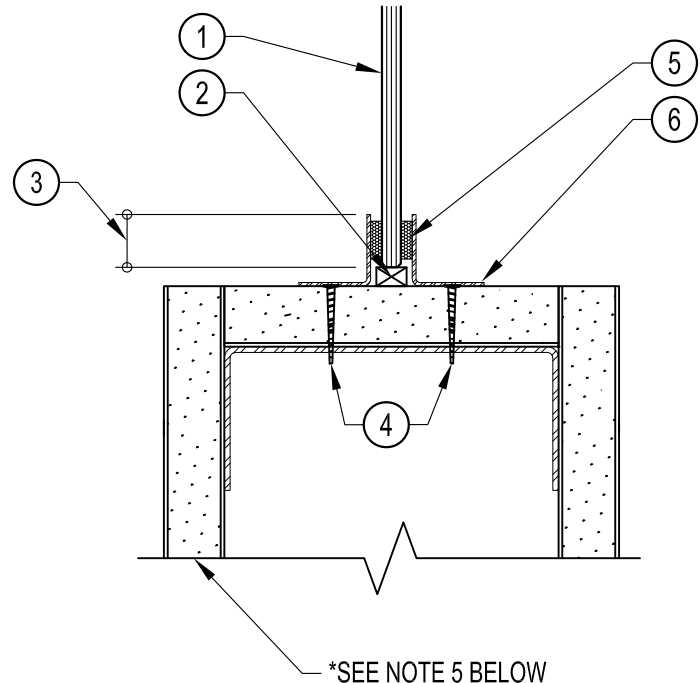
② 1/4" x 4" x 1/4" HARDWOOD SETTING BLOCK

③ BITE: 3/8" MINIMUM

④ #6 OR #8 GAUGE 1-1/2" LONG FLAT PHILLPS HEAD
SCREWS, LOCATED 10" - 12" ON CENTER

⑤ 1/8" x 3/8" CLOSED CELL PVC TAPE

⑥ .040" x 5/8" MINIMUM x 5/8" MINIMUM
CONTINUOUS STEEL ANGLE



GENERAL INFORMATION

1. FOR INTERIOR USE IN 20-60 MINUTE GYPSUM WALLBOARD/STEEL STUD OR MASONRY ASSEMBLIES.

2.	MAX. EXPOSED AREA PER PIECE (Sq. In. / Sq. Ft.)	MAX. WIDTH OF EXPOSED GLAZING PER PIECE (In.)	OR	MAX. HEIGHT OF EXPOSED GLAZING PER PIECE (In.)
	2,880 / 20	60"		60"

3. TESTED PER THE FOLLOWING STANDARDS: **UL9** AND **CAN4-S106**

4. ADDITIONAL INFORMATION REGARDING **FIRELITE®** CAN BE OBTAINED AT **WWW.FIREGLASS.COM** UNDER THE **GLASS** SECTION OF THE **PRODUCTS MENU** LOCATED AT THE TOP OF THE PAGE.

5. FOR MORE INFORMATION SEE WA-3-003 AT UL'S PRODUCT IQ WEBSITE: [HTTPS://PRODUCTIQ.ULPROSPECTOR.COM](https://productiq.ulprospector.com)

① PILKINGTON PYROSTOP® 45-200 GLAZING: 45 MINUTE - 3/4" (19mm)

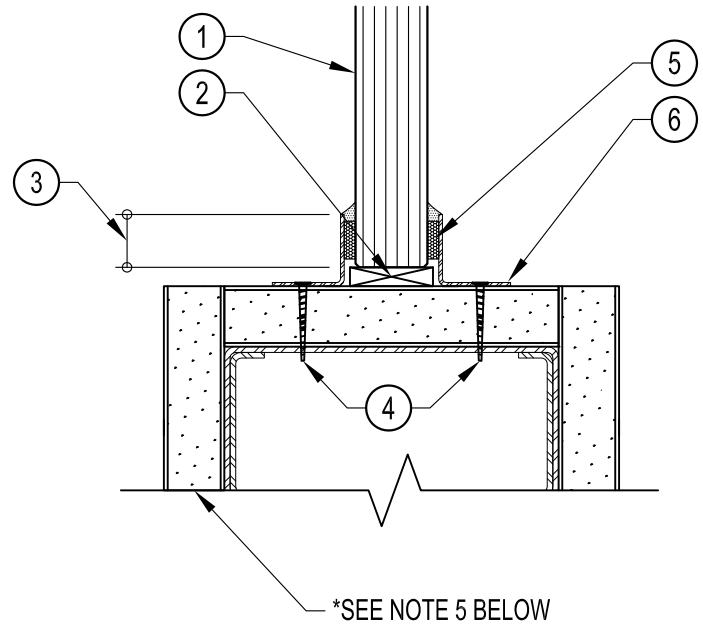
② 1/4" x 4" x 1/4" HARDWOOD SETTING BLOCK

③ BITE: 5/8" MINIMUM

④ #6 OR #8 GAUGE 1-1/2" LONG FLAT PHILLIPS HEAD SCREWS, LOCATED 10" - 12" ON CENTER

⑤ 1/8" x 3/8" CLOSED CELL PVC TAPE

⑥ .040" x 5/8" MINIMUM x 5/8" MINIMUM CONTINUOUS STEEL ANGLE



GENERAL INFORMATION

1. FOR INTERIOR USE IN 45 MINUTE RATED GYPSUM WALLBOARD/STEEL STUD OR MASONRY ASSEMBLIES.

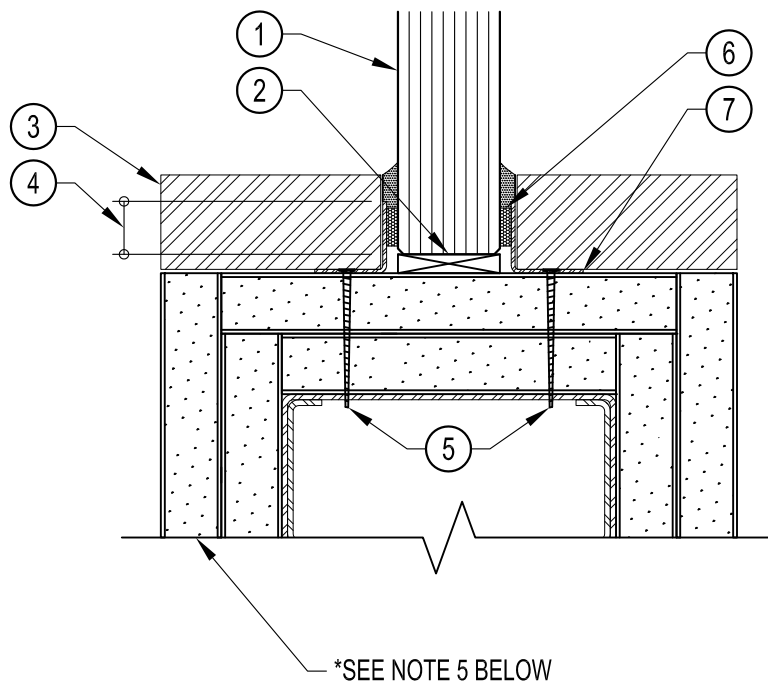
2.	MAX. EXPOSED AREA PER PIECE (Sq. In. / Sq. Ft.)	MAX. WIDTH OF EXPOSED GLAZING PER PIECE (In.)	OR	MAX. HEIGHT OF EXPOSED GLAZING PER PIECE (In.)
	4,500 / 31.25	95-1/4"		95-1/4"

3. TESTED PER THE FOLLOWING STANDARDS: **UL9** AND **CAN4-S106**

4. ADDITIONAL INFORMATION REGARDING **PILKINGTON PYROSTOP®** CAN BE OBTAINED AT **WWW.FIREGLASS.COM** UNDER THE **GLASS** SECTION OF THE **PRODUCTS MENU** LOCATED AT THE TOP OF THE PAGE.

5. FOR MORE INFORMATION SEE WA-3-003 AT UL'S PRODUCT IQ WEBSITE: [HTTPS://PRODUCTIQ.ULPROSPECTOR.COM](https://productiq.ulprospector.com)

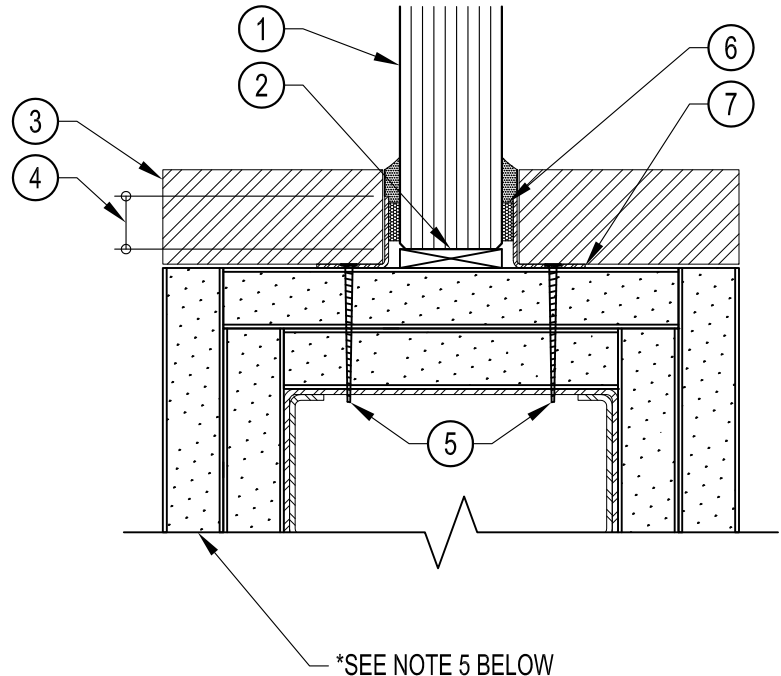
- ① PILKINGTON PYROSTOP® 60-101 GLAZING:
60 MINUTE - 7/8" (23mm)
- ② 1/4" x 4" x 1/4" OR 2-1/4" x 1/4" THICK
(AS REQUIRED) HARDWOOD SETTING BLOCK
- ③ 1-1/2" x 5/8" THICK GYPSUM BOARD OR 1-1/2"
x 1/2" THICK HEMLOCK, PINE OR OAK TRIM
COMPLETELY COVERING STEEL ANGLE
(AS REQUIRED)
- ④ BITE: 5/8" MINIMUM
- ⑤ #6, #8 OR #12 (AS REQUIRED) x 1 1/2" OR 2"
FLAT HEAD SCREW, 10" - 12" ON CENTER
- ⑥ 1/8" x 3/8" CLOSED CELL PVC TAPE
- ⑦ .040 OR 16 GAUGE (AS REQUIRED) x 3/4"
MINIMUM x 3/4" MINIMUM CONTINUOUS
STEEL ANGLE



GENERAL INFORMATION

1. FOR INTERIOR USE IN 60 MINUTE RATED GYPSUM WALLBOARD/STEEL STUD OR MASONRY ASSEMBLIES.
2. **MAX. EXPOSED AREA PER
PIECE (Sq. In. / Sq. Ft.)**
5,616 / 39 **MAX. WIDTH OF EXPOSED
GLAZING PER PIECE (In.)**
96" **OR** **MAX. HEIGHT OF EXPOSED
GLAZING PER PIECE (In.)**
96"
3. TESTED PER THE FOLLOWING STANDARDS: **UL9** AND **CAN4-S106** OR **ANSI/UL 263** AND **CAN/ULC-S101** (AS SPECIFIED BY UL FILES BELOW)
4. ADDITIONAL INFORMATION REGARDING **PILKINGTON PYROSTOP®** CAN BE OBTAINED AT **WWW.FIREGLASS.COM** UNDER THE **GLASS** SECTION OF THE **PRODUCTS MENU** LOCATED AT THE TOP OF THE PAGE.
5. FOR MORE INFORMATION SEE WA-3-003 OR U531 AT UL'S PRODUCT IQ WEBSITE: [HTTPS://PRODUCTIQ.ULPROSPECTOR.COM](https://productiq.ulprospector.com)

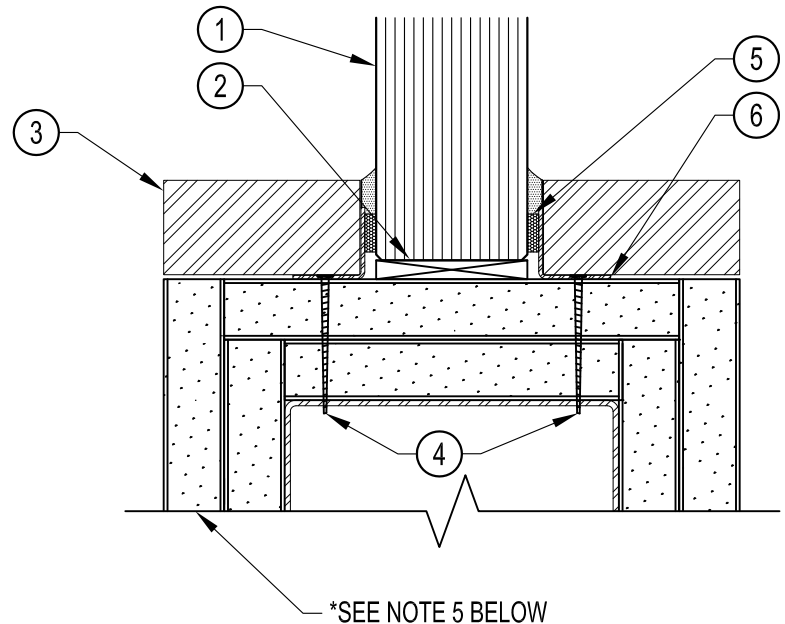
- ① PILKINGTON PYROSTOP® 60-201 GLAZING:
60 MINUTE - 1-1/16" (27mm)
- ② 1/4" x 4" x 1/4" OR 2-1/4" x 1/4" THICK
(AS REQUIRED) HARDWOOD SETTING BLOCK
- ③ 1-1/2" x 5/8" THICK GYPSUM BOARD OR 1-1/2"
x 1/2" THICK HEMLOCK, PINE OR OAK TRIM
COMPLETELY COVERING STEEL ANGLE
(AS REQUIRED)
- ④ BITE: 5/8" MINIMUM
- ⑤ #6, #8 OR #12 (AS REQUIRED) x 1 1/2" OR 2"
FLAT HEAD SCREW, 10" - 12" ON CENTER
- ⑥ 1/8" x 3/8" CLOSED CELL PVC TAPE
- ⑦ .040 OR 16 GAUGE (AS REQUIRED) x 3/4"
MINIMUM x 3/4" MINIMUM CONTINUOUS
STEEL ANGLE



GENERAL INFORMATION

1. FOR INTERIOR USE IN 60 MINUTE RATED GYPSUM WALLBOARD/STEEL STUD OR MASONRY ASSEMBLIES.
2. **MAX. EXPOSED AREA PER
PIECE (Sq. In. / Sq. Ft.)**
7,445 / 51.7 **MAX. WIDTH OF EXPOSED
GLAZING PER PIECE (In.)**
96" **OR** **MAX. HEIGHT OF EXPOSED
GLAZING PER PIECE (In.)**
118-1/8"
3. TESTED PER THE FOLLOWING STANDARDS: **UL9** AND **CAN4-S106** OR **ANSI/UL 263** AND **CAN/ULC-S101** (AS SPECIFIED BY UL FILES BELOW)
4. ADDITIONAL INFORMATION REGARDING **PILKINGTON PYROSTOP®** CAN BE OBTAINED AT **WWW.FIREGLASS.COM** UNDER THE **GLASS** SECTION OF THE **PRODUCTS MENU** LOCATED AT THE TOP OF THE PAGE.
5. FOR MORE INFORMATION SEE WA-3-003 OR U531 AT UL'S PRODUCT IQ WEBSITE: [HTTPS://PRODUCTIQ.ULPROSPECTOR.COM](https://productiq.ulprospector.com)

- ① PILKINGTON PYROSTOP® 90-102 GLAZING:
90 MINUTE - 1-7/16" (37mm)
- ② 2-1/4" x 1/4" THICK HARDWOOD SETTING BLOCK
- ③ 1" x 2" CLEAR PINE OR OAK TRIM COMPLETELY
COVERING AND SECURELY FASTENED TO
THE GLAZING STOPS
- ④ #12 x 2" LONG PHILLIPS FLAT HEAD SCREWS
LOCATED 6" ON CENTER
- ⑤ 1/8" x 3/8" CLOSED CELL PVC TAPE
- ⑥ 16 GAUGE x 3/4" MINIMUM x 3/4" MINIMUM
CONTINUOUS STEEL ANGLE



GENERAL INFORMATION

1. FOR INTERIOR USE IN 90 MINUTE RATED GYPSUM WALLBOARD/STEEL STUD OR MASONRY ASSEMBLIES.
2. **MAX. EXPOSED AREA PER
PIECE (Sq. In. / Sq. Ft.)**
3,724 / 25.86 **MAX. WIDTH OF EXPOSED
GLAZING PER PIECE (In.)**
89-3/4" **OR** **MAX. HEIGHT OF EXPOSED
GLAZING PER PIECE (In.)**
89-3/4"
3. TESTED PER THE FOLLOWING STANDARDS: **ANSI/UL 263** AND **CAN/ULC-S101**
4. ADDITIONAL INFORMATION REGARDING **PILKINGTON PYROSTOP®** CAN BE OBTAINED AT **WWW.FIREGLASS.COM**
UNDER THE **GLASS** SECTION OF THE **PRODUCTS MENU** LOCATED AT THE TOP OF THE PAGE.
5. FOR MORE INFORMATION SEE U531 AT UL'S PRODUCT IQ WEBSITE: [HTTPS://PRODUCTIQ.ULPROSPECTOR.COM](https://productiq.ulprospector.com)

① PILKINGTON PYROSTOP® 120-108 GLAZING:
120 MINUTE - 1-7/8" (47mm)

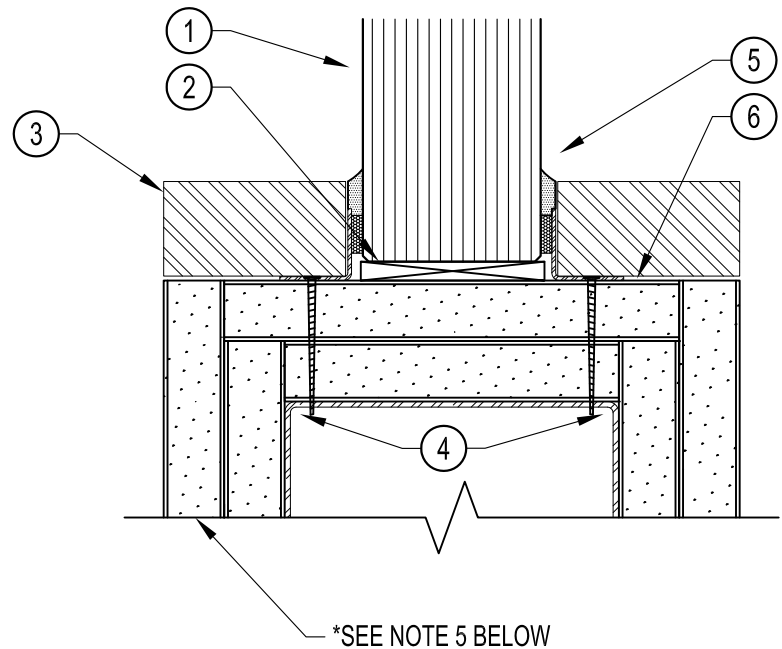
② 2-1/4" x 1/4" THICK HARDWOOD SETTING BLOCK

③ 1" x 2" CLEAR PINE OR OAK TRIM COMPLETELY
COVERING AND SECURELY FASTENED
TO THE GLAZING STOPS

④ #12 x 2" LONG PHILLIPS FLAT HEAD SCREWS
LOCATED 6" ON CENTER

⑤ 1/8" x 3/8" CLOSED CELL PVC TAPE

⑥ 16 GAUGE x 3/4" MINIMUM x 3/4" MINIMUM
CONTINUOUS STEEL ANGLE



GENERAL INFORMATION

1. FOR INTERIOR USE IN 120 MINUTE RATED GYPSUM WALLBOARD/STEEL STUD OR MASONRY ASSEMBLIES.

2.	MAX. EXPOSED AREA PER PIECE (Sq. In. / Sq. Ft.) 3,730 / 25.9	MAX. WIDTH OF EXPOSED GLAZING PER PIECE (In.) 111"	OR	MAX. HEIGHT OF EXPOSED GLAZING PER PIECE (In.) 111"
----	--	--	-----------	---

OR

*NOTE: PORTRAIT MODE ONLY FOR THESE SIZE RESTRICTIONS	WIDTH OF EXPOSED GLAZING PER PIECE (In.) MIN. 39-3/8" - MAX. 63"	AND	MAX. HEIGHT OF EXPOSED GLAZING PER PIECE (In.) 118-1/8"
--	--	------------	---

3. TESTED PER THE FOLLOWING STANDARDS: **ANSI/UL 263** AND **CAN/ULC-S101**

4. ADDITIONAL INFORMATION REGARDING **PILKINGTON PYROSTOP®** CAN BE OBTAINED AT **WWW.FIREGLASS.COM**
UNDER THE **GLASS** SECTION OF THE **PRODUCTS MENU** LOCATED AT THE TOP OF THE PAGE.

5. FOR MORE INFORMATION SEE U531 AT UL'S PRODUCT IQ WEBSITE: [HTTPS://PRODUCTIQ.ULPROSPECTOR.COM](https://productiq.ulprospector.com)

① PILKINGTON PYROSTOP® GLAZING:
120 MINUTE - 2-1/8" (54mm)

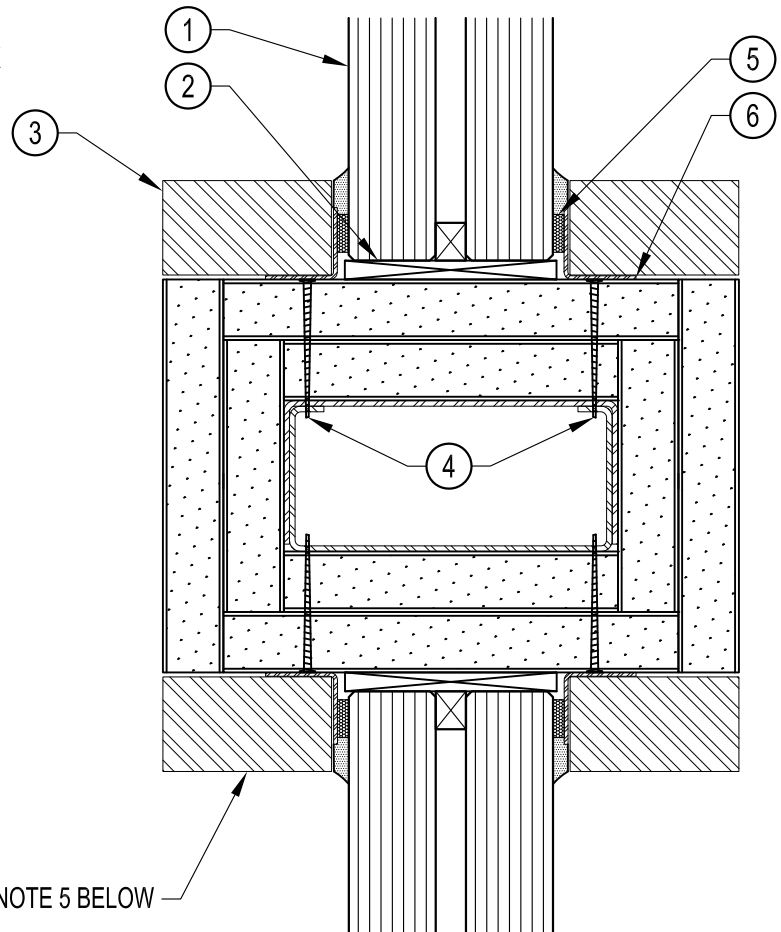
② 2-1/4" x 1/4" THICK HARDWOOD SETTING BLOCK

③ 1" x 2" CLEAR PINE OR OAK TRIM COMPLETELY
COVERING AND SECURELY FASTENED
TO THE GLAZING STOPS

④ #12 x 2" LONG PHILLIPS FLAT HEAD SCREWS
LOCATED 6" ON CENTER

⑤ 1/8" x 3/8" CLOSED CELL PVC TAPE

⑥ 16 GAUGE x 3/4" MINIMUM x 3/4" MINIMUM
CONTINUOUS STEEL ANGLE



GENERAL INFORMATION

1. FOR INTERIOR USE IN 120 MINUTE RATED GYPSUM WALLBOARD/STEEL STUD OR MASONRY ASSEMBLIES.

2.	MAX. EXPOSED AREA PER PIECE (Sq. In. / Sq. Ft.) <i>3,730 / 25.9</i>	MAX. WIDTH OF EXPOSED GLAZING PER PIECE (In.) <i>111"</i>	OR	MAX. HEIGHT OF EXPOSED GLAZING PER PIECE (In.) <i>111"</i>
----	---	---	-----------	--

3. TESTED PER THE FOLLOWING STANDARDS: **ANSI/UL 263** AND **CAN/ULC-S101**

4. ADDITIONAL INFORMATION REGARDING **PILKINGTON PYROSTOP®** CAN BE OBTAINED AT **WWW.FIREGLASS.COM**
UNDER THE **GLASS** SECTION OF THE **PRODUCTS MENU** LOCATED AT THE TOP OF THE PAGE.

5. FOR MORE INFORMATION SEE U531 AT UL'S PRODUCT IQ WEBSITE: [HTTPS://PRODUCTIQ.ULPROSPECTOR.COM](https://productiq.ulprospector.com)