

**Fire-Rated Silicone Glazed Steel Curtain Wall**  
**Patent NO. 8,567,142**  
**Fire Rating: Up to 120 Minutes**

Fireframes SG Curtainwall® Series allows design professionals to create large, fire-rated glazed walls with the smooth, monolithic appearance of a structural silicone glazed system. Featuring a patented toggle retention system that allows for rapid installation of Fireglass® fire-resistive-rated glass while being completely hidden once installed.

**FEATURES**

- Fire ratings of 45, 60 and 120 minutes with required hose stream test
- Unrestricted glazing area for use in locations where total glazing exceeds 25% of wall (60 and 120 minutes)
- Compatible with full-lite doors from TGP available in single leaf or double leaf design (see Fireframes® Designer Series or Fireframes® Heat Barrier Series)
- Air and water pressure tested and approved for exterior use
- Durable narrow steel and stainless steel profiles ensure low maintenance system
- Select profiles available in 304 brushed stainless steel for fire ratings up to 60 minutes (#4 finish)
- Silicone sealed for smooth monolithic appearance, no pressure plates or caps
- Shear block fabrication system
- Easy installation using unique toggle retention system
- Captured option available (perimeter, 2-sided, or other design-based configurations)
- Frames supplied "K-D" (knock-down) ready for installation
- Finish painted at the factory to match desired color scheme
- Incorporates large individual panes of Fireglass fire-resistive-rated glass, comprised of Pilkington Optiwhite™ glass and clear intumescent interlayers

**LISTINGS/STANDARDS**

Classified and labeled by Underwriters Laboratories, Inc.® and Underwriters Laboratories of Canada. File number R25274 (walls), R25229 (windows), design number U554 (W495 Canada). Frame tests performed in accordance with:

UL 9	NFPA 251	CAN/ULC-S101	ASTM E-119
UL 263	NFPA 257	CAN/ULC-S106	

**MAXIMUM SIZE**

Contact TGP for maximum allowable glass sizing information. Locate your local Territory Manager at [fireglass.com/territory-managers](http://fireglass.com/territory-managers).



BIM 3D Model Available



UL Classified & Labeled



Fire-Rated



Hose Stream Tested



Heat Barrier

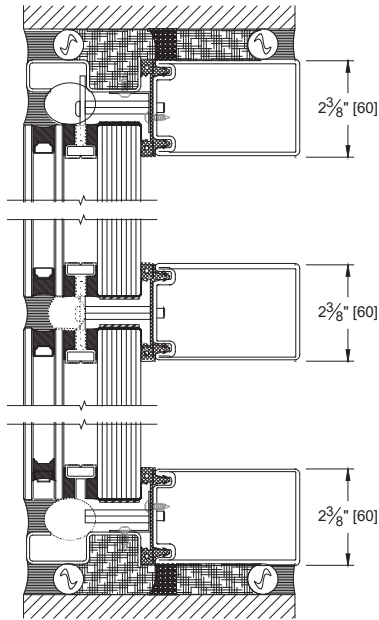


Positive Pressure Tested

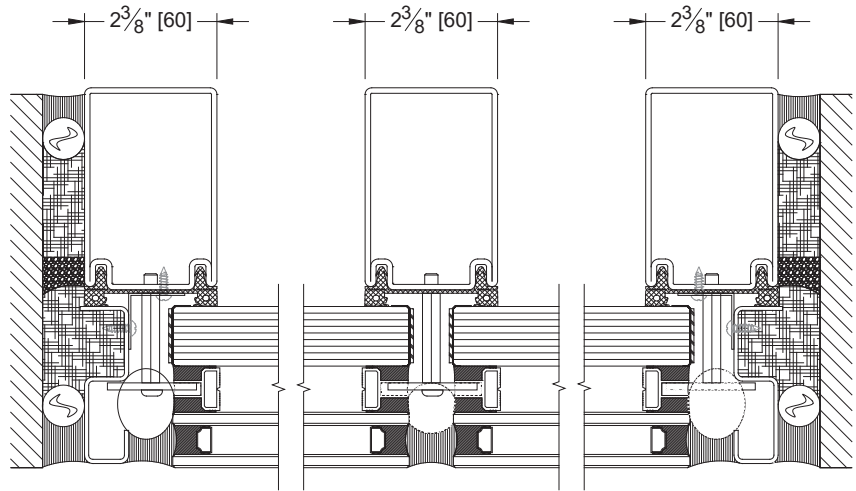


Stainless Steel Option

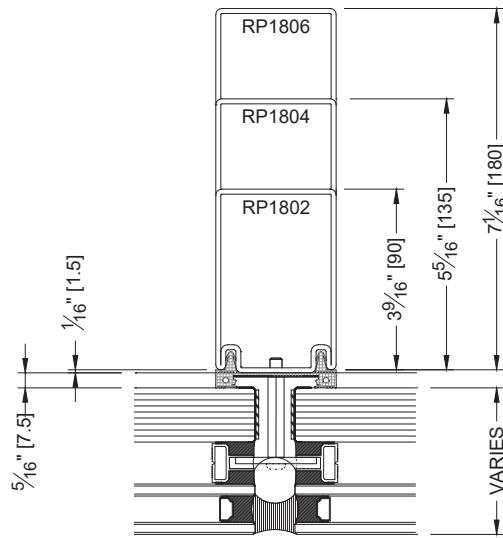
**DETAIL DRAWINGS**



HORIZONTAL MULLIONS

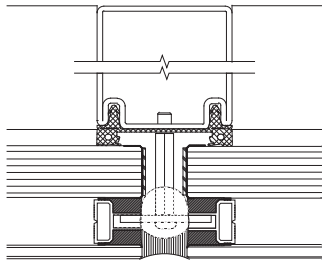


VERTICAL MULLIONS

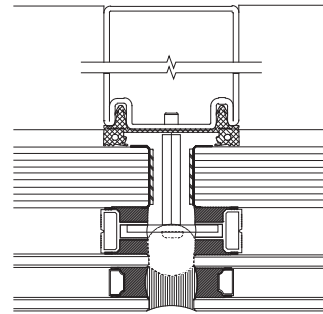
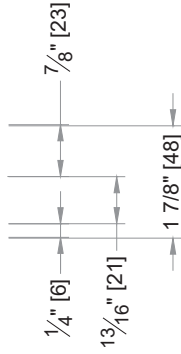


INTERMEDIATE MULLION 60 MM  
PROFILE OPTIONS

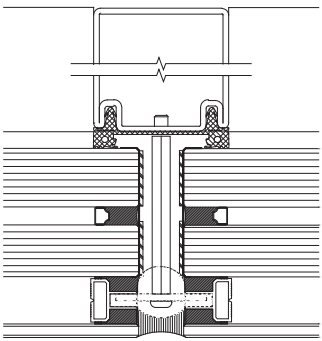
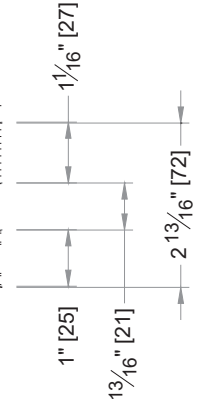
**GLAZING OPTIONS**



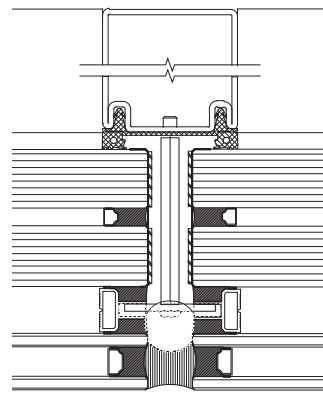
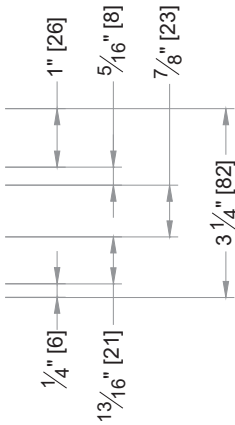
60 MIN INTERIOR  
60-161 FG



60 MIN EXTERIOR  
60-361 FGX



120 MIN INTERIOR  
120-116 FG



120 MIN EXTERIOR  
120-363 FGX

